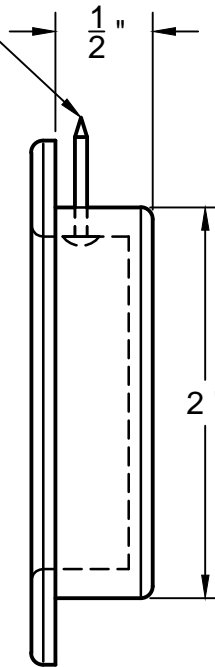
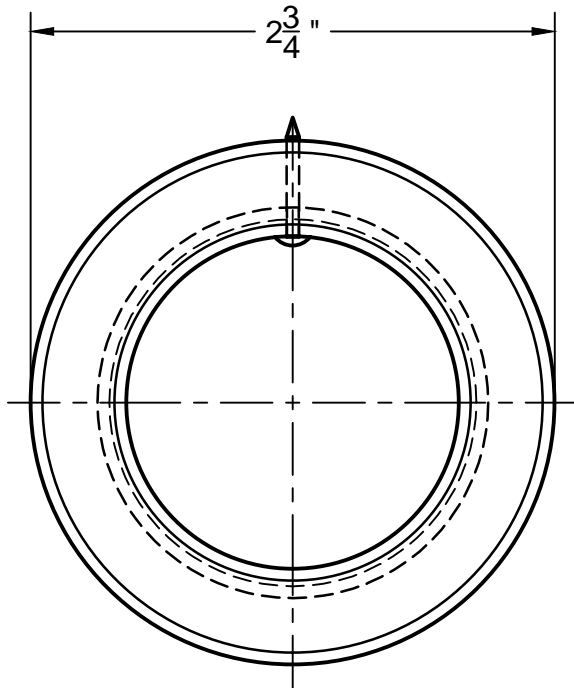


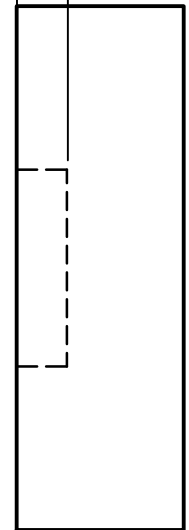
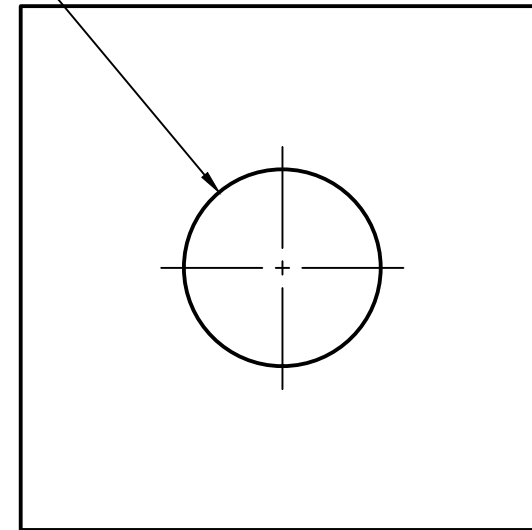


16 GAUGE FINISH NAIL  
(ESCUTCHEON TYPE)



Ø2"

9/16"



MORTISE SIZE, USE A  
2" "FORSTNER" BIT

Real Carriage Door  
Company, Inc.  
9803 44th Ave. NW  
Gig Harbor, WA 98332  
Tel: (800) 694-5977  
Fax: (253) 857-9295



PROJECT

RSH Round Flush-Pulls

TITLE

Round\_Flush-Pull, 2.75 Inch  
Drawing Units - Inches

APPROVED

CHECKED

DRAWN

S.R. Johnson

4/30/2018

SIZE

A

CODE

DWG NO

SCALE NOT TO SCALE

WEIGHT

REV

SHEET 1/1

This print is the property of Real Carriage Door Company Inc. and is loaned to the recipient subject to be returned upon demand. All contents herein are confidential and must not be copied or submitted to outside parties for examination without the express written consent of Real Carriage Door Company Inc.