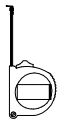
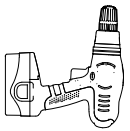


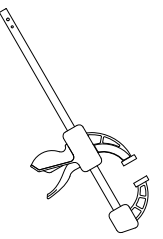
TOOLS NEEDED



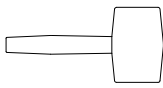
Tape Measure



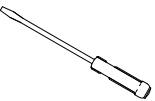
Power Drill



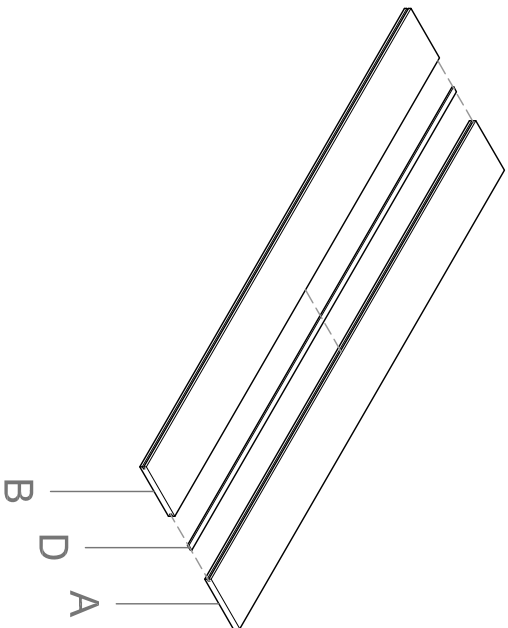
Clamps



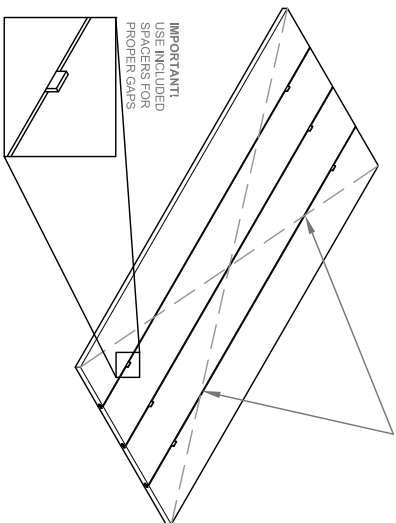
Rubber Mallet



Slotted
Screwdriver

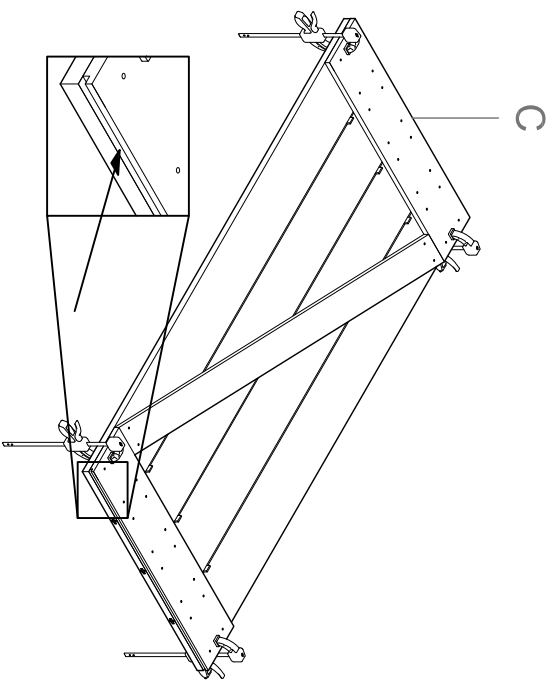


1 Fit spline (D) securely into slot in end plank (A). Fit mid plank (B) onto spline assembly. Continue fitting splines and planks taking care to keep board ends aligned.

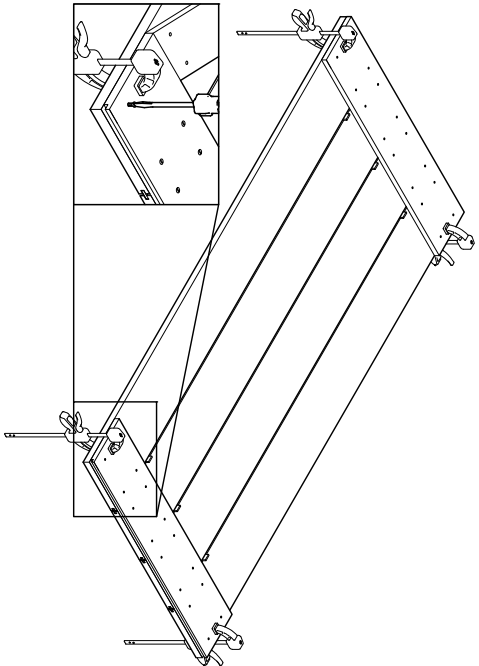


MEASUREMENTS MUST
BE EQUAL

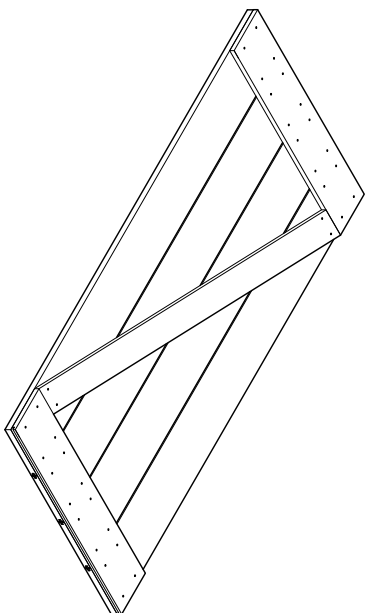
2 With planks assembled, insert the included spacers in between boards. Spacers should be inserted at the top and bottom of the door 9-12" from edge. Check square by measuring diagonally. Tap boards gently with rubber mallet to adjust measurements if needed.



3 Arrange all face boards on door according to your chosen design. Clamp top and bottom rails (C) securely to door. Verify the position of the bottom slot (if present)



4 Install included drill bit with 1-1/4" of the bit extending from drill. Drill pilot holes through countersink holes in rails making sure not to drill deeper than 1-1/4". Affix rails with included screws. DO NOT OVERTIGHTEN!!



5 Follow same procedure in previous step for any remaining face boards on door. Remove clamps. Door is now ready to install.

REAL
CARRIAGE
DOOR CO.

ASSEMBLY INSTRUCTIONS

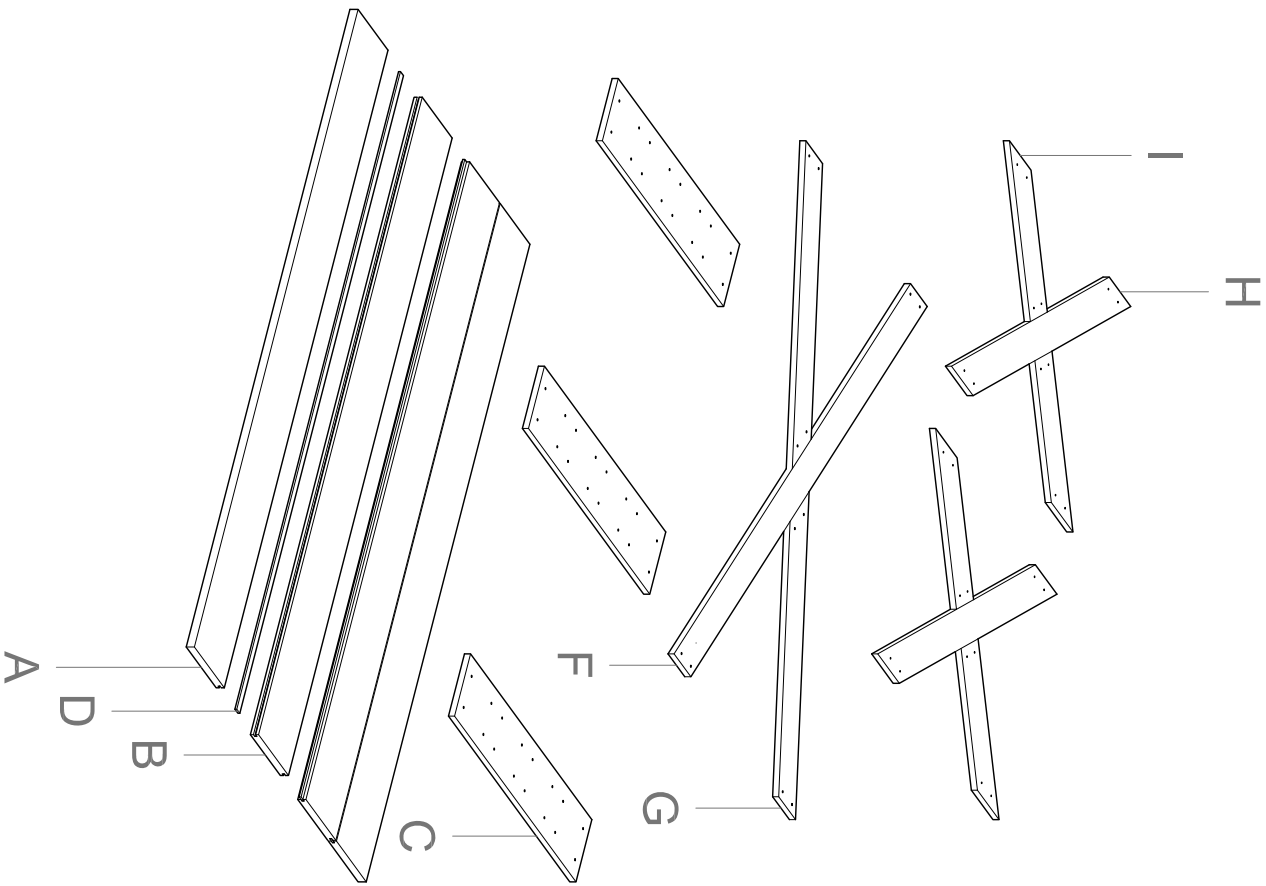
(FOR PARTS LIST - SEE REVERSE SIDE)

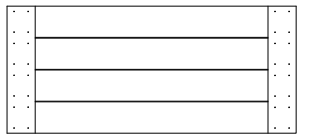
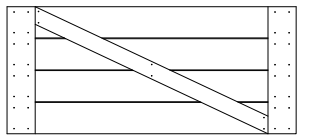
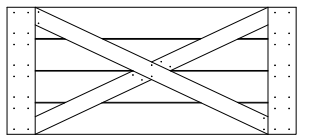
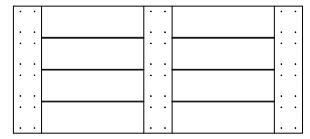
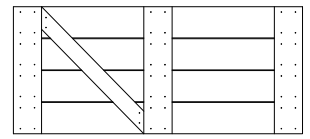
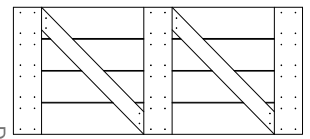
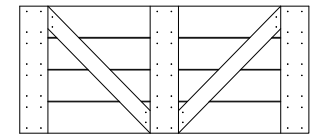
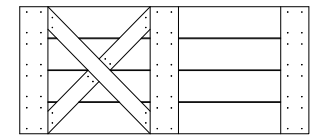
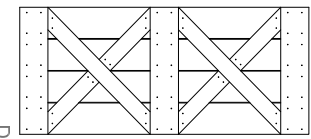
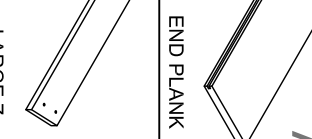
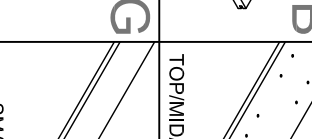
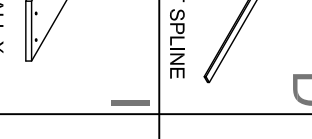
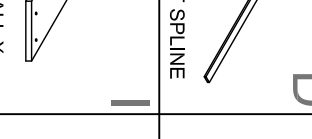

This print is the property of Real Carriage Door Company, Inc. All contents are confidential and must not be copied or submitted to outside parties for examination without the express written consent of Real Carriage Door Company, Inc.

PARTS LIST

(FOR ASSEMBLY INSTRUCTIONS - SEE REVERSE SIDE)

This print is the property of Real Carriage Door Company, Inc. All contents are confidential and must not be copied or submitted to outside parties for examination without the express written consent of Real Carriage Door Company, Inc.



 <p>PLANK</p> <ul style="list-style-type: none"> A-2 Varies C-2 Varies D- Varies E- Varies F- 0 G- 0 H- 0 I- 0 	 <p>Z-BRACE</p> <ul style="list-style-type: none"> A-2 Varies C-2 Varies D- Varies E- Varies F- 1 G- 0 H- 0 I- 0 	 <p>X-BRACE</p> <ul style="list-style-type: none"> A-2 Varies B- Varies C-2 Varies D- Varies E- Varies F- 1 G-2 H- 0 I- 0 	
 <p>MID-BAR</p> <ul style="list-style-type: none"> A-2 Varies B- Varies C- 3 D- Varies E- Varies F- 0 G- 0 H- 0 I- 0 	 <p>HALF Z-BRACE</p> <ul style="list-style-type: none"> A-2 Varies B- Varies C- 3 D- Varies E- Varies F- 0 G- 0 H- 1 I- 0 	 <p>DOUBLE Z-BRACE</p> <ul style="list-style-type: none"> A-2 Varies B- Varies C- 3 D- Varies E- Varies F- 0 G- 0 H- 2 I- 0 	
 <p>BRITISH BRACE</p> <ul style="list-style-type: none"> A-2 Varies B- Varies C- 3 D- Varies E- Varies F- 0 G- 0 H- 2 I- 0 	 <p>HALF X-BRACE</p> <ul style="list-style-type: none"> A-2 Varies B- Varies C- 3 D- Varies E- Varies F- 0 G- 0 H- 1 I- 1 	 <p>DOUBLE X-BRACE</p> <ul style="list-style-type: none"> A-2 Varies B- Varies C- 3 D- Varies E- Varies F- 0 G- 0 H- 2 I- 2 	
 <p>END PLANK</p> <p>A</p> <p>F</p> <p>LARGE Z</p>	 <p>MID PLANK</p> <p>B</p> <p>G</p> <p>LARGE X</p>	 <p>TOP/MID/BTM RAIL</p> <p>C</p> <p>H</p> <p>SMALL Z</p>	
		 <p>JOINT SPLINE</p> <p>D</p> <p>I</p> <p>SMALL X</p>	
			 <p>#10 x 1-1/4"</p> <p>E</p>