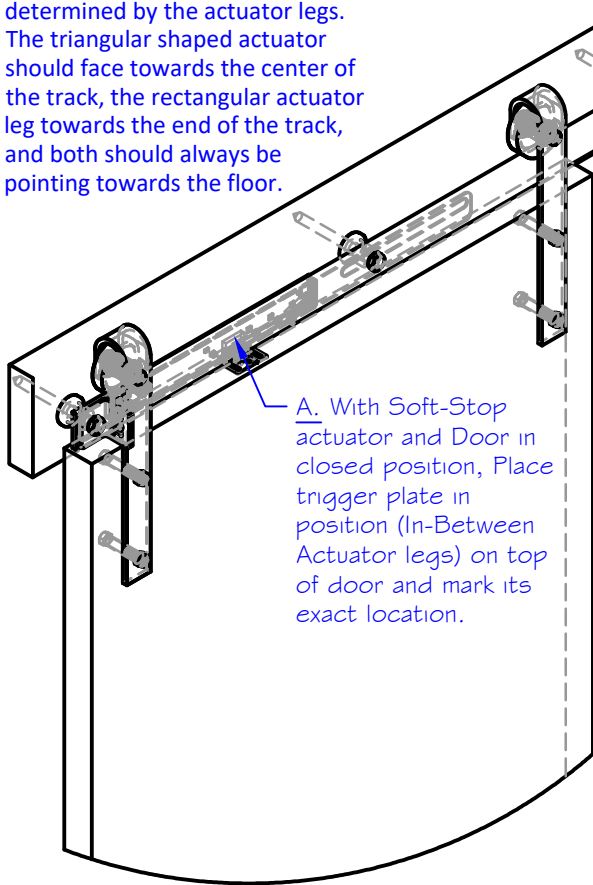
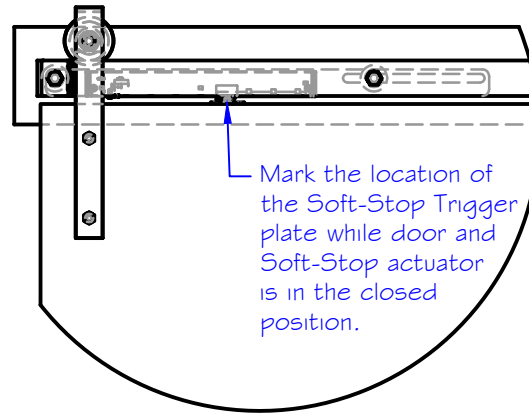


1. Orientation of the softstop is determined by the actuator legs. The triangular shaped actuator should face towards the center of the track, the rectangular actuator leg towards the end of the track, and both should always be pointing towards the floor.

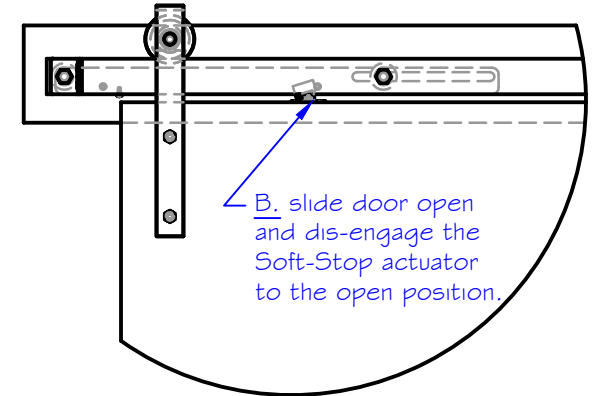
2. Before positioning the door on the track make sure both actuator legs are visible (if they are moved to the opposite edge then the triangular leg will pop up into mechanism), this allows for proper trigger positioning.



Closed Position



Open Position



3. Place the door on the track at either end (open or close) until you reach where it needs to stop. Place the trigger on top of the door between both actuator legs, and mark with pencil the positioning. Do the same at the other end. Take the door off the track and fasten to marked locations.

C. open door far enough to access the marks made earlier for the trigger plate.

D. Attach trigger in the position marked with the provided screws.

E. Test the soft-Stop for proper engagement.

F. If necessary, adjust trigger (up or down) to catch the Soft-Stop actuator without any binding.

4. The softstops have a screw to adjust tension as needed for your application. The trigger may also be adjusted in height to properly reach the actuator legs.



PROJECT

RSH_SOFT_STOP_INST.

TITLE

Soft-Stop Assembly Instructions

APPROVED

CHECKED

DRAWN S.R. Johnson 11/02/2018

SIZE

A

CODE

DWG NO

REV

SCALE DO NOT SCALE WEIGHT

SHEET 1/1