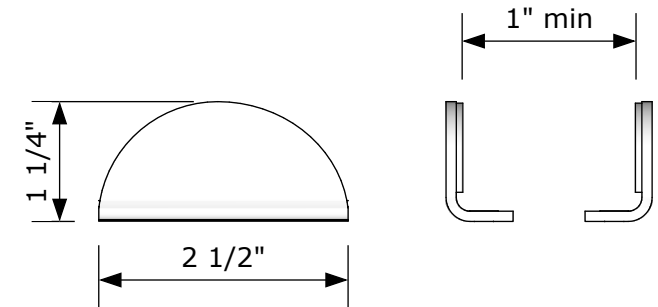
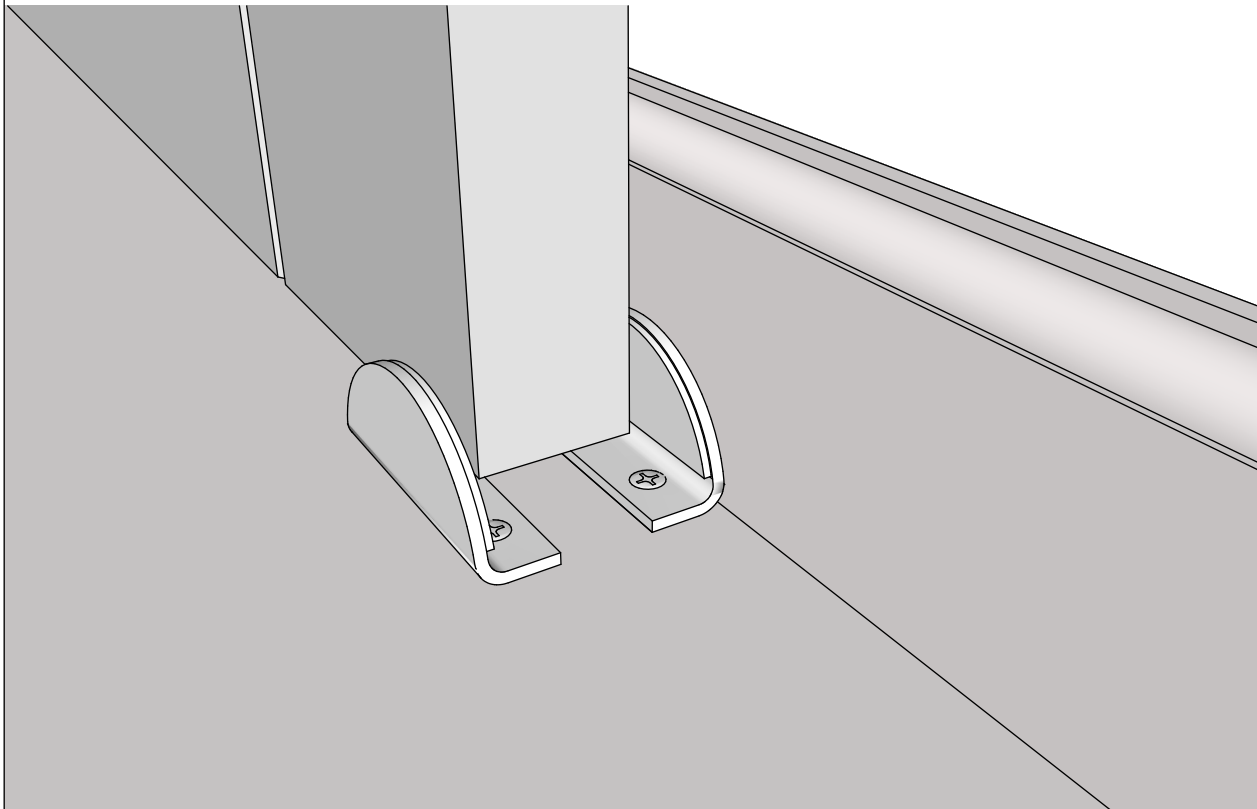
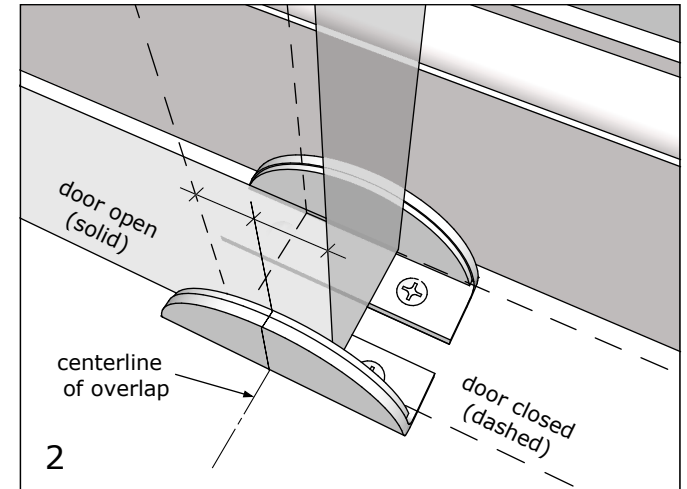
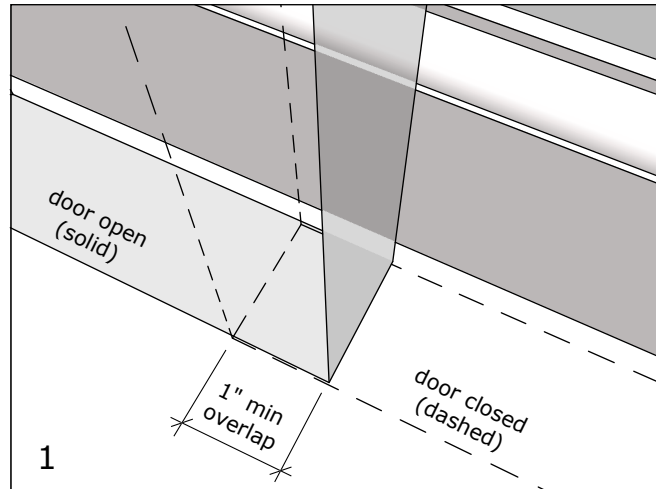


To install:

Determine how wide the door 'overlap' will be. The overlap is the distance between the leading edge of the door when fully open, and the trailing edge of the door when fully closed (1).

Mark centerline of overlap and place center of guide on line (2).

Pre-drill and install onto floor the portion nearest the baseboard so door will hang plumb. Pre-drill and install second half of guide, leaving about 1/16" of space between door and guide plastic, so door does not bind when operating.



General Notes:

For use when slotting the bottom of door for 'T' type guide is not desired or not possible.

Unique design can be used on doors as narrow as 1", with no maximum.

Smooth, high strength glide plastic guides door gently and quietly.