

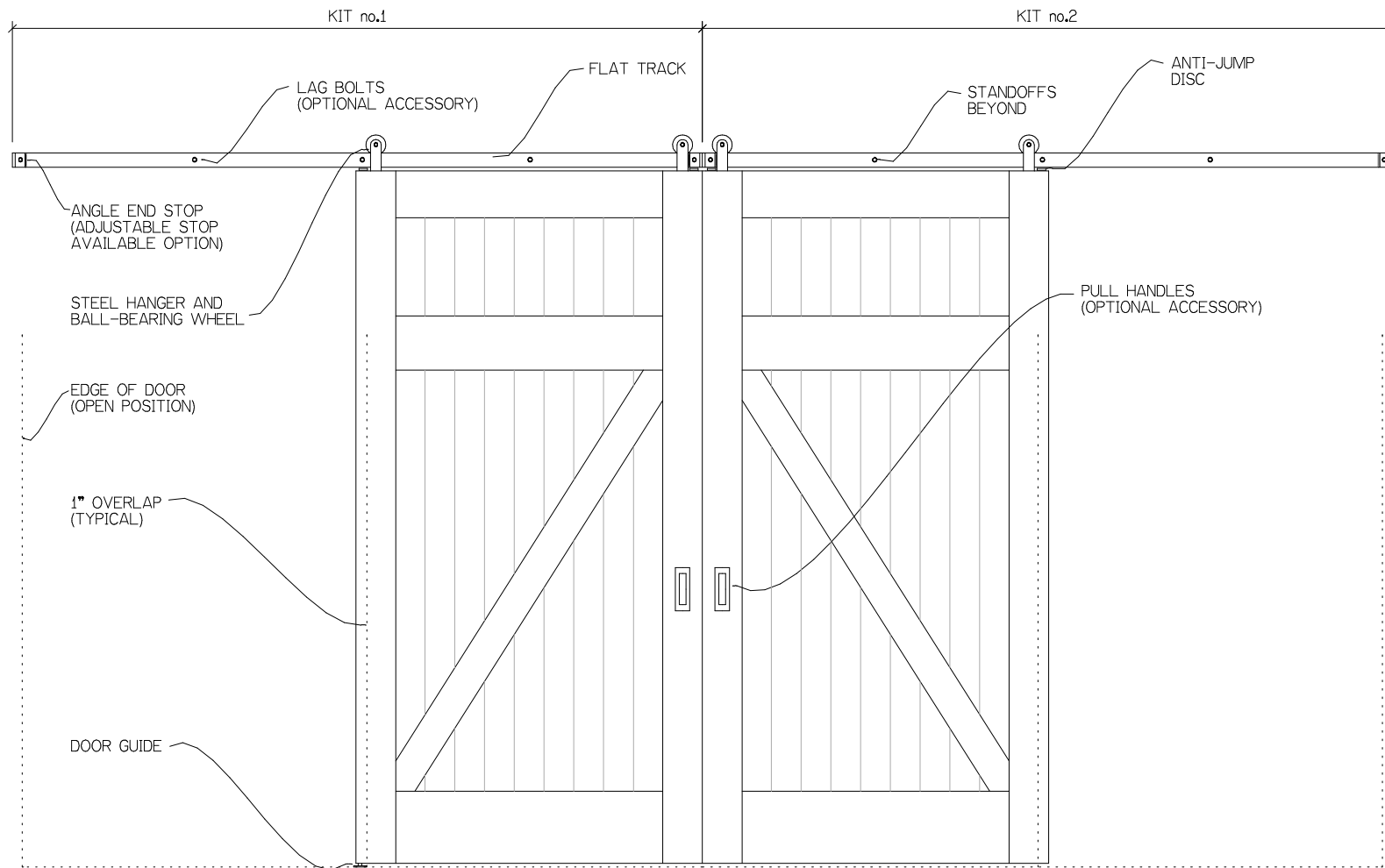
GENERAL NOTES:

ACTUAL TRACK LENGTHS ARE 1" LESS THAN 2X THE NOMINAL DOOR WIDTH (i.e., A 36" WIDE DOOR WOULD HAVE A 71" TRACK).

DOORS MORE THAN 1" OVER TYPICAL SIZES (i.e. 37" ON A NOMINAL 6" TRACK) REQUIRE THE TYPICAL HANGER OFFSET BE ALTERED. SEE INSTALLATION CUT SHEET FOR MORE INFORMATION.

IF YOUR DOOR IS A CUSTOM SIZE (i.e. 40"), THE HANGER MAY BE REPOSITIONED, OR YOU WILL HAVE TO REPOSITION ONE END STOP. DRILL ONE HOLE AT DESIRED LOCATION AND USE HEX BOLT TO FASTEN (NOT INCLUDED). YOU MAY ALSO USE ADJUSTABLE END STOPS (OPTIONAL ACCESSORY) OR REQUEST A CUSTOM FABRICATION.

FOR BI-PARTING DOORS, BUTT THE TRACK OF EACH KIT END TO END TIGHTLY. JOINING TRACKS IS NOT NECESSARY.



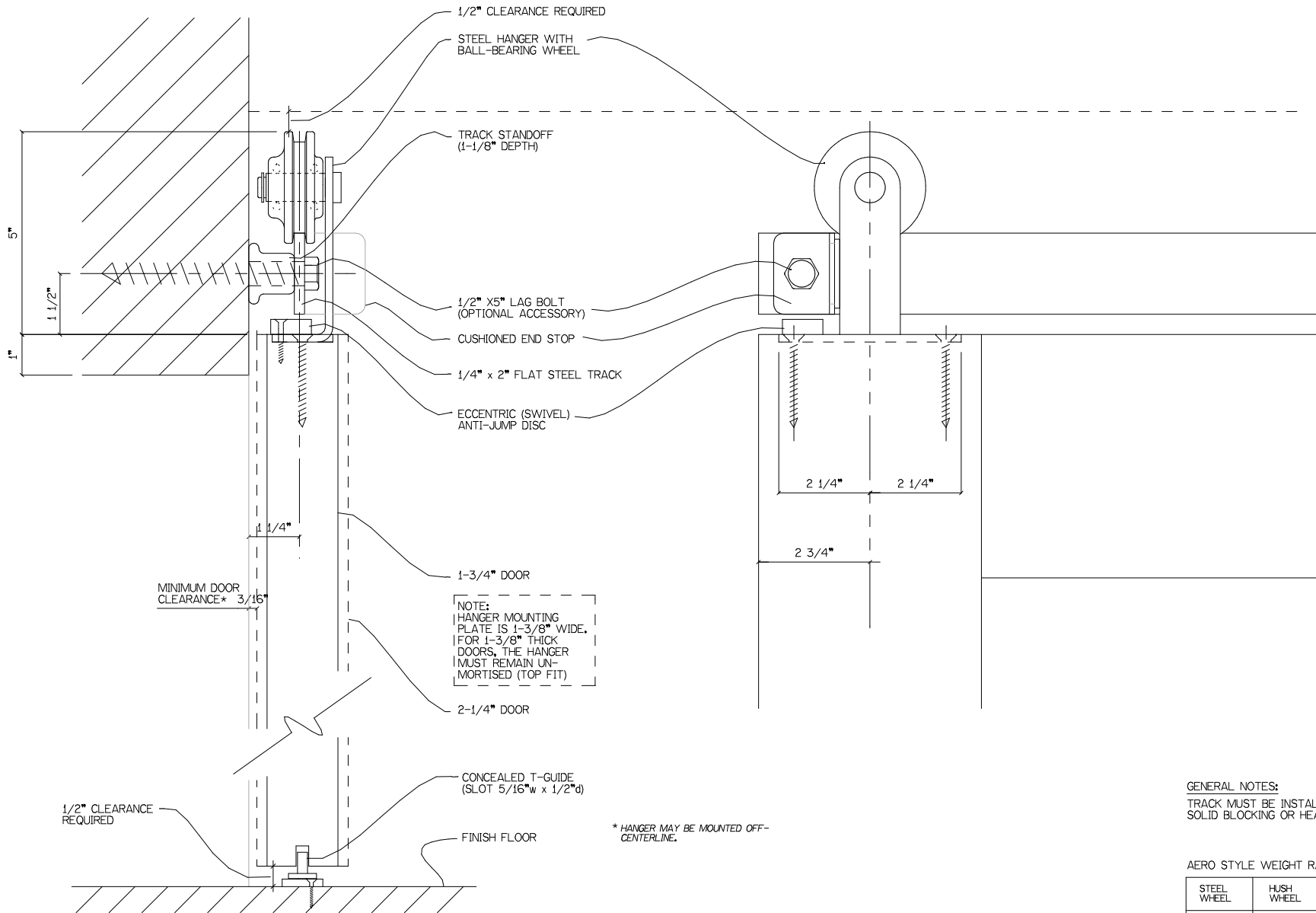
GENERAL NOTES:

ACTUAL TRACK LENGTHS ARE 1" LESS THAN 2X THE NOMINAL DOOR WIDTH (i.e., A 36" WIDE DOOR WOULD HAVE A 71" TRACK).

DOORS MORE THAN 1" OVER TYPICAL SIZES (i.e. 37" ON A NOMINAL 6" TRACK) REQUIRE THE TYPICAL HANGER OFFSET BE ALTERED. SEE INSTALLATION CUT SHEET FOR MORE INFORMATION.

IF YOUR DOOR IS A CUSTOM SIZE (i.e. 40"), THE HANGER MAY BE REPOSITIONED, OR YOU WILL HAVE TO REPOSITION ONE END STOP. DRILL ONE HOLE AT DESIRED LOCATION AND USE HEX BOLT TO FASTEN (NOT INCLUDED). YOU MAY ALSO USE ADJUSTABLE END STOPS (OPTIONAL ACCESSORY) OR REQUEST A CUSTOM FABRICATION.

FOR BI-PARTING DOORS, BUTT THE TRACK OF EACH KIT END TO END TIGHTLY. JOINING TRACKS IS NOT NECESSARY.



MINIMUM DOOR CLEARANCE* 3/16"

NOTE:
HANGER MOUNTING
PLATE IS 1-3/8" WIDE.
FOR 1-3/8" THICK
DOORS, THE HANGER
MUST REMAIN UN-
MORTISED (TOP FIT)

* HANGER MAY BE MOUNTED OFF-CENTERLINE.

GENERAL NOTES:
TRACK MUST BE INSTALLED INTO SOLID BLOCKING OR HEAD CASING.

AERO STYLE WEIGHT RATINGS**

STEEL WHEEL	HUSH WHEEL	WOOD WHEEL
200 LBS	200 LBS	80 LBS

** RATING PER PAIR OF HANGERS

REAL
SLIDING
HARDWARE

Real Carriage
Door Company

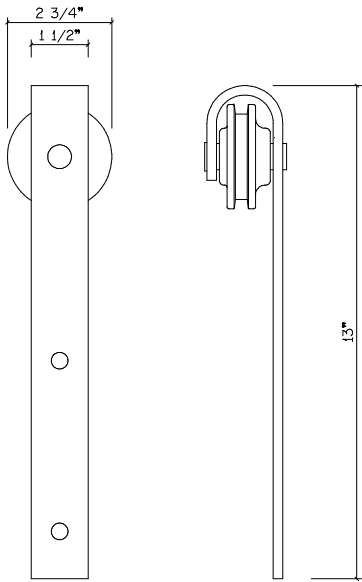
9803 44th AVE NW
GIG HARBOR, WA 98332

AERO FLAT TRACK

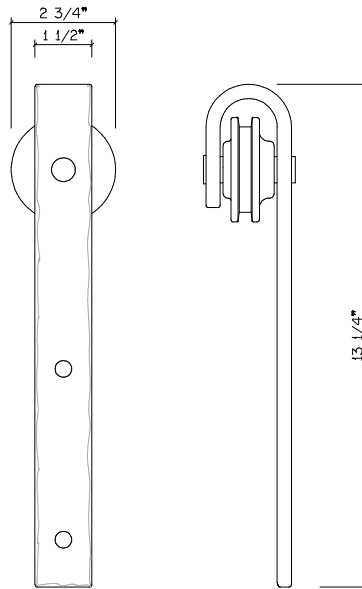
DESCRIPTION/NOTES: SECTION AND ELEVATION VIEWS

THIS PRINT IS THE PROPERTY OF REAL CARRIAGE DOOR COMPANY, INC. AND IS LOANED TO THE RECIPIENT SUBJECT TO RETURN UPON DEMAND. ALL CONTENTS HEREIN ARE CONFIDENTIAL AND MUST NOT BE COPIED OR SUBMITTED TO OUTSIDE PARTIES FOR EXAMINATION WITHOUT THE EXPRESS WRITTEN CONSENT OF REAL CARRIAGE DOOR COMPANY, INC.

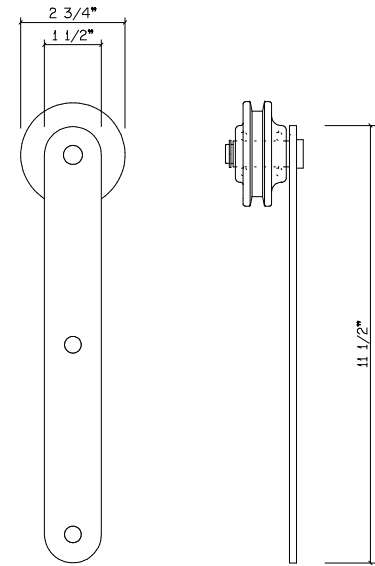
DRWG NO:
DATE:



CLASSIC STYLE
HANGER

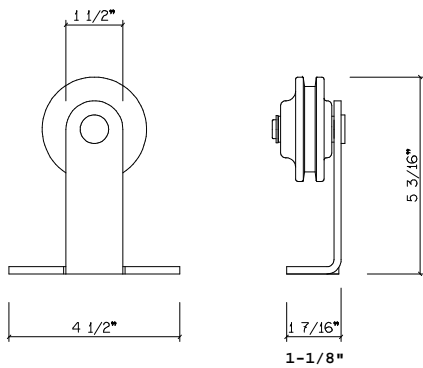


HAMMERED STYLE
HANGER

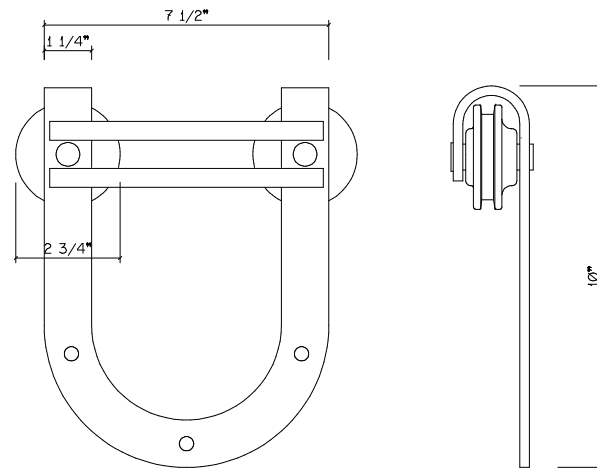


PROP STYLE
HANGER

NOTE:
HAMMERED HANGERS
ARE HAND-FORGED
AND DIMENSIONS MAY
VARY SLIGHTLY

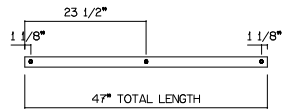


AERO STYLE
HANGER

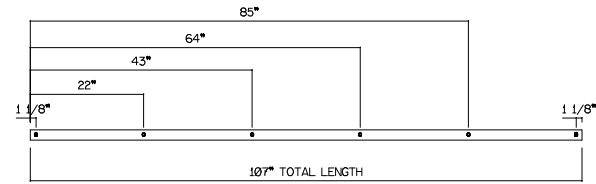


HORSESHOE STYLE
HANGER

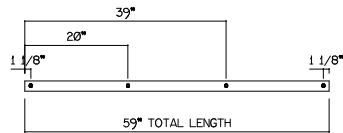
SF-04



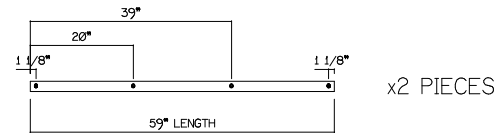
SF-09



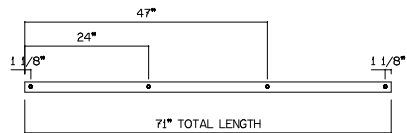
SF-05



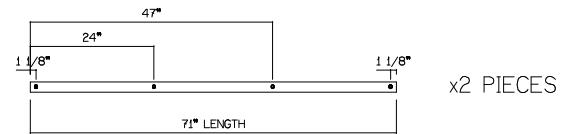
SF-10-2PC



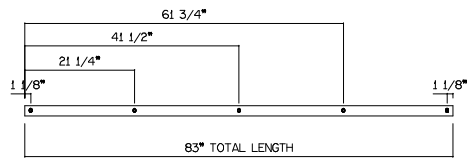
SF-06



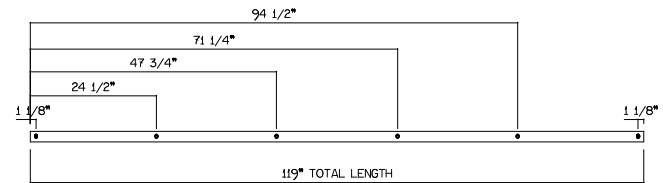
SF-12-2PC



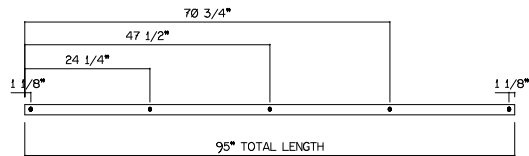
SF-07



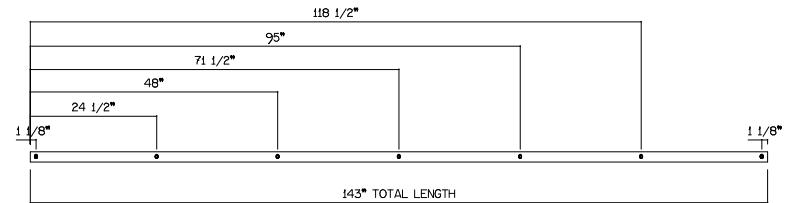
SF-10*



SF-08



SF-12*



*THESE ITEMS ARE TOO LONG FOR FEDEX AND MUST SHIP FREIGHT

FLAT TRACK STANDARD LENGTHS (CLASSIC, HORSESHOE, HAMMERED, PROP AND AERO STYLES)

DESCRIPTION/NOTES: HOLE PATTERNS ARE EVENLY SPACED 24" ON CENTER OR LESS. STANDARD TRACK LENGTHS SHOWN. CUSTOM LENGTHS AVAILABLE.
 NOTE: HOLE MEASUREMENTS ARE FOR GENERAL INFO ONLY AND NOT INTENDED FOR USE AS A DRILLING TEMPLATE.