

**GENERAL NOTES:**

ACTUAL TRACK LENGTHS ARE 1" LESS THAN 2X THE NOMINAL DOOR WIDTH (i.e., A 36" WIDE DOOR WOULD HAVE A 71" TRACK).

TRACK STANDOFFS ARE AVAILABLE FOR DOORS UP TO 2-1/4" THICK.

DOORS MORE THAN 1" OVER TYPICAL SIZES (i.e. 37" ON A NOMINAL 6" TRACK) REQUIRE THE TYPICAL HANGER OFFSET BE ALTERED. SEE INSTALLATION CUT SHEET FOR MORE INFORMATION.

IF YOUR DOOR IS A CUSTOM SIZE (i.e. 40"), YOU WILL HAVE TO REPOSITION ONE END STOP, DRILL ONE HOLE AT DESIRED LOCATION AND USE HEX BOLT TO FASTEN (NOT INCLUDED). YOU MAY ALSO USE ADJUSTABLE END STOPS (OPTIONAL ACCESSORY) OR REQUEST A CUSTOM FABRICATION.

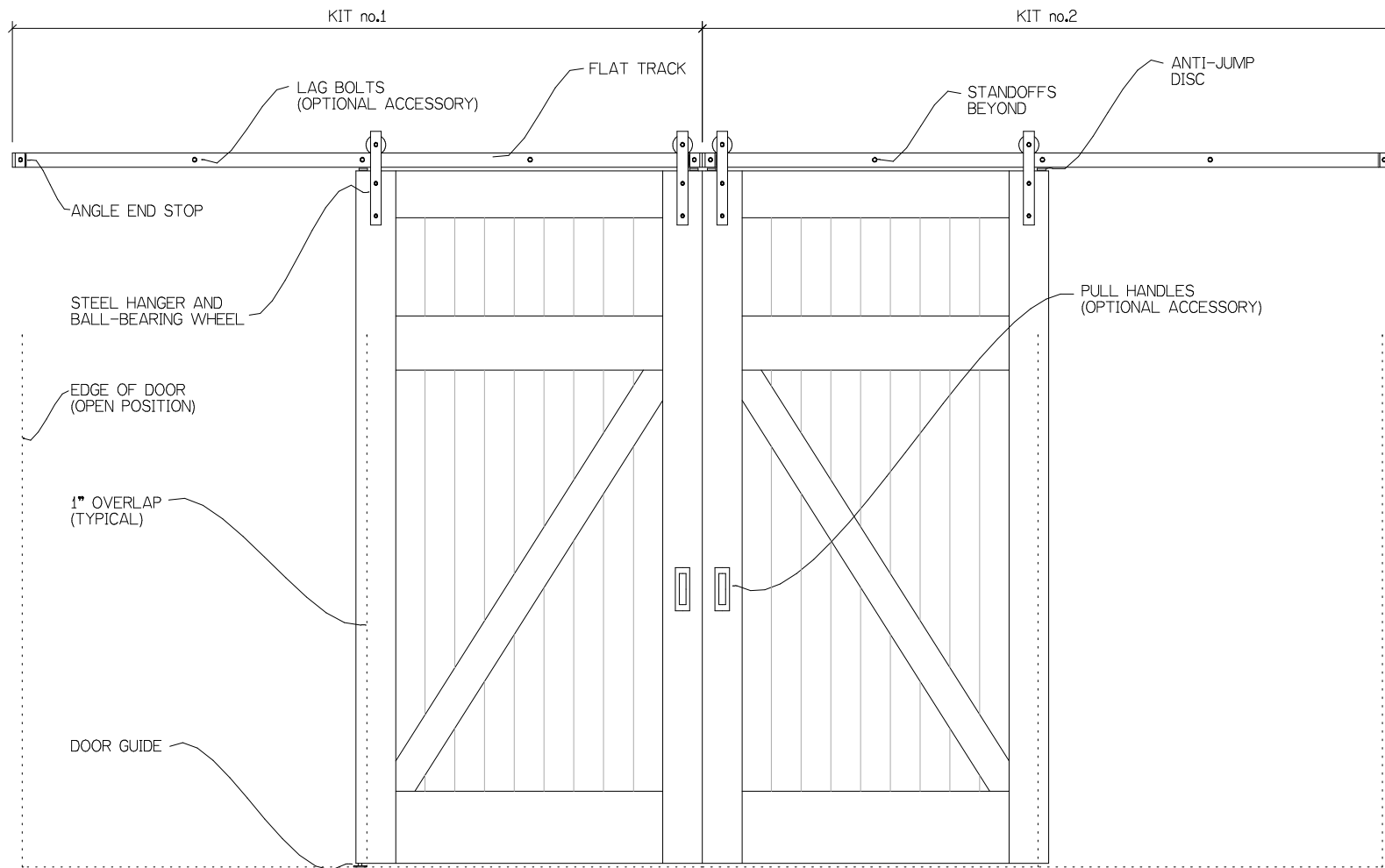
FOR BI-PARTING DOORS, BUTT THE TRACK OF EACH KIT END TO END TIGHTLY. JOINING TRACKS IS NOT NECESSARY.

# CLASSIC FLAT TRACK - SINGLE DOORS OVERVIEW

DESCRIPTION/NOTES:

DRWG NO:

DATE:



**GENERAL NOTES:**

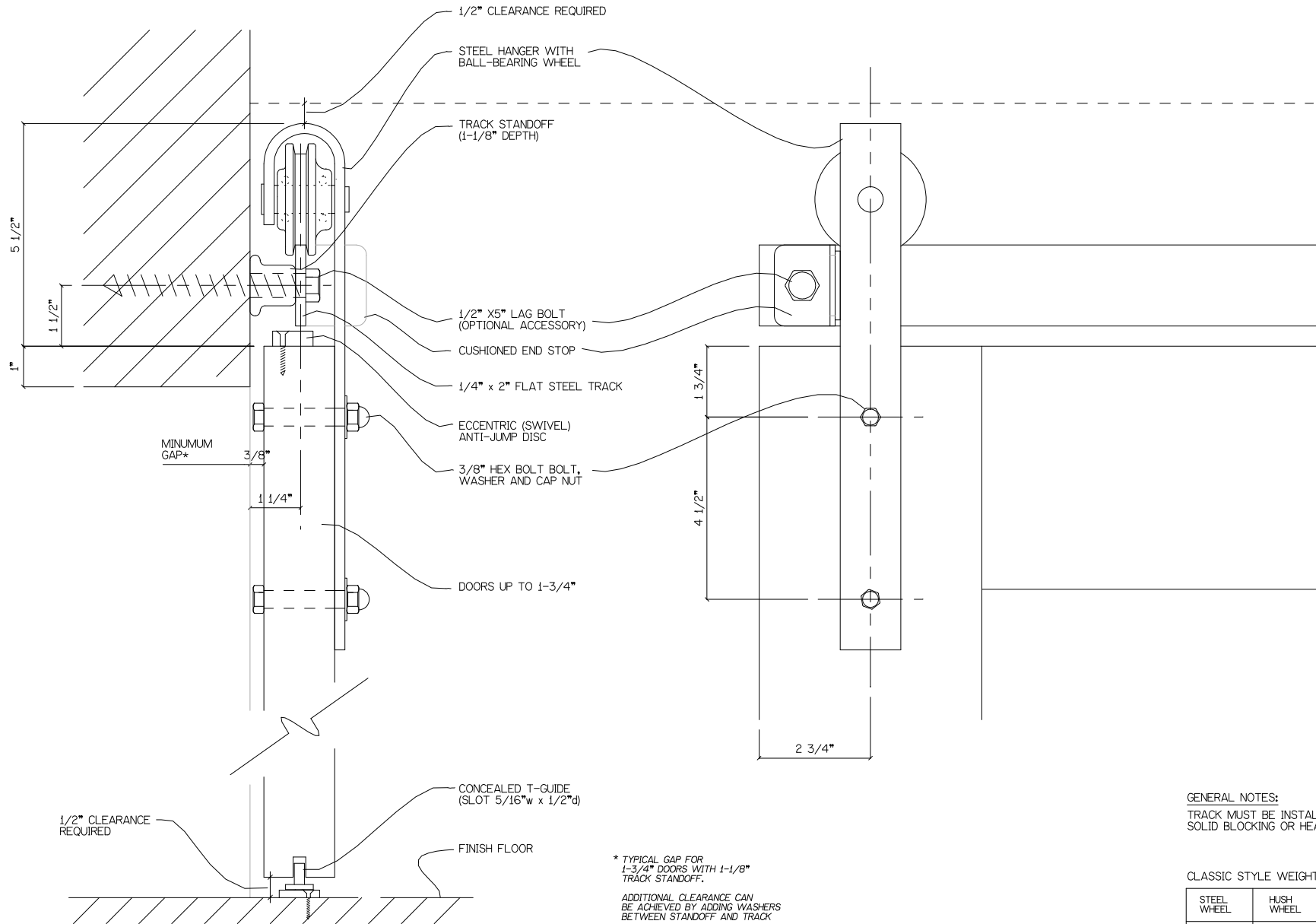
ACTUAL TRACK LENGTHS ARE 1" LESS THAN 2X THE NOMINAL DOOR WIDTH (i.e., A 36" WIDE DOOR WOULD HAVE A 71" TRACK).

TRACK STANDOFFS ARE AVAILABLE FOR DOORS UP TO 2-1/4" THICK.

DOORS MORE THAN 1" OVER TYPICAL SIZES (i.e. 37" ON A NOMINAL 6" TRACK) REQUIRE THE TYPICAL HANGER OFFSET BE ALTERED. SEE INSTALLATION CUT SHEET FOR MORE INFORMATION.

IF YOUR DOOR IS A CUSTOM SIZE (i.e. 40"), YOU WILL HAVE TO REPOSITION ONE END STOP. DRILL ONE HOLE AT DESIRED LOCATION AND USE HEX BOLT TO FASTEN (NOT INCLUDED). YOU MAY ALSO USE ADJUSTABLE END STOPS (OPTIONAL ACCESSORY) OR REQUEST A CUSTOM FABRICATION.

FOR BI-PARTING DOORS, BUTT THE TRACK OF EACH KIT END TO END TIGHTLY. JOINING TRACKS IS NOT NECESSARY.



MINIMUM GAP\*

1/2" CLEARANCE REQUIRED

1/2" CLEARANCE REQUIRED

STEEL HANGER WITH BALL-BEARING WHEEL

TRACK STANDOFF (1-1/8" DEPTH)

1/2" X 5" LAG BOLT (OPTIONAL ACCESSORY)

CUSHIONED END STOP

1/4" x 2" FLAT STEEL TRACK

ECCENTRIC (SWIVEL) ANTI-JUMP DISC

3/8" HEX BOLT, WASHER AND CAP NUT

DOORS UP TO 1-3/4"

CONCEALED T-GUIDE (SLOT 5/16" w x 1/2" d)

FINISH FLOOR

\* TYPICAL GAP FOR 1-3/4" DOORS WITH 1-1/8" TRACK STANDOFF.

ADDITIONAL CLEARANCE CAN BE ACHIEVED BY ADDING WASHERS BETWEEN STANDOFF AND TRACK

GENERAL NOTES:  
TRACK MUST BE INSTALLED INTO SOLID BLOCKING OR HEAD CASING.

CLASSIC STYLE WEIGHT RATINGS\*\*

STEEL WHEEL	HUSH WHEEL	WOOD WHEEL
400 LBS	400 LBS	80 LBS

\*\*RATING PER PAIR OF HANGERS

**REAL**  
SLIDING  
HARDWARE

copyright 2013  
Real Carriage  
Door Company  
9803 44th AVE NW  
GIG HARBOR, WA 98332

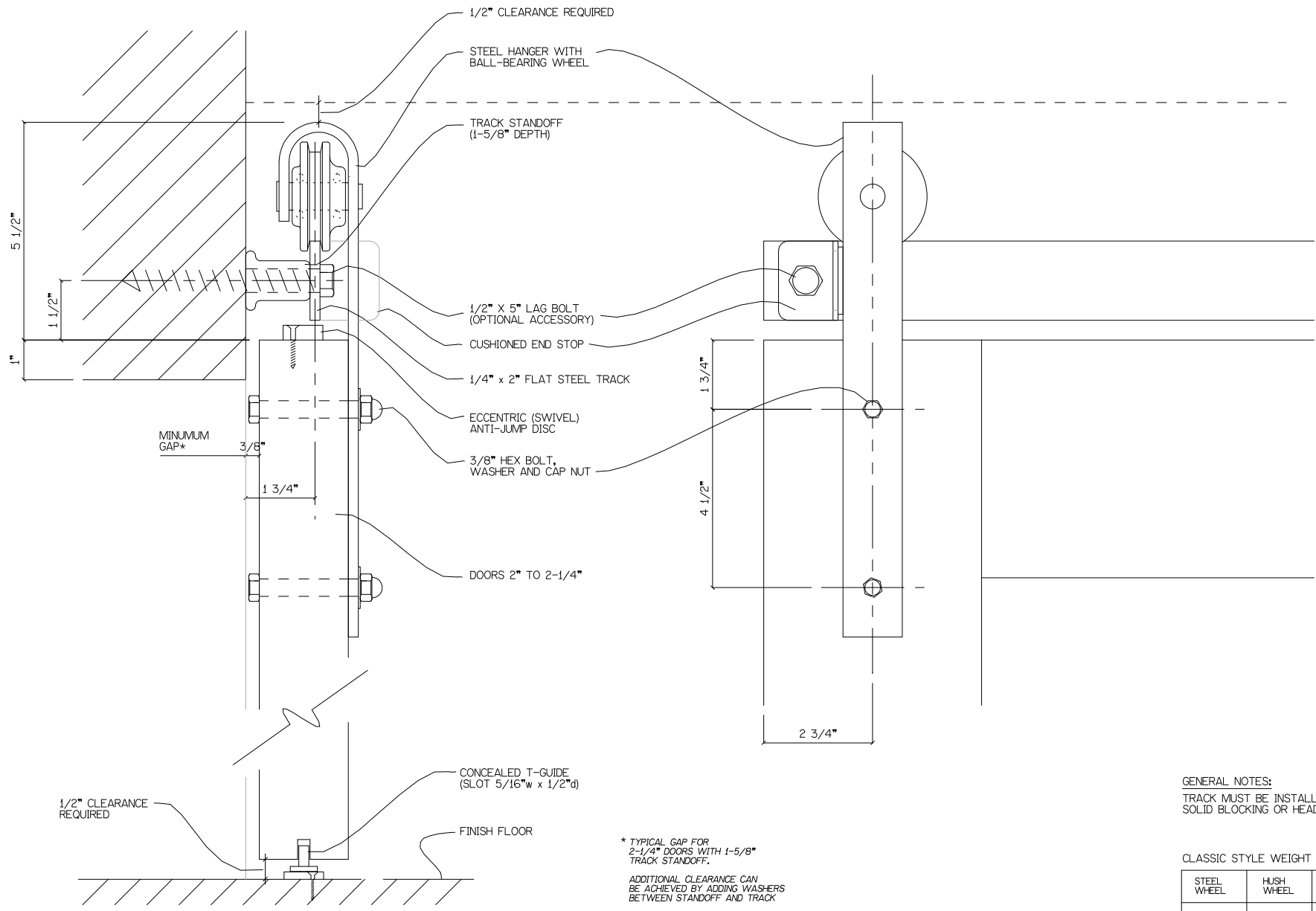
# CLASSIC FLAT TRACK (DOORS UP TO 1-3/4")

DESCRIPTION/NOTES: SECTION AND ELEVATION VIEWS

THIS PRINT IS THE PROPERTY OF REAL CARRIAGE DOOR COMPANY, INC. AND IS LOANED TO THE RECIPIENT SUBJECT TO RETURN UPON DEMAND. ALL CONTENTS HEREIN ARE CONFIDENTIAL AND MUST NOT BE COPIED OR SUBMITTED TO OUTSIDE PARTIES FOR EXAMINATION WITHOUT THE EXPRESS WRITTEN CONSENT OF REAL CARRIAGE DOOR COMPANY, INC.

DRWG NO:

DATE:



MINIMUM GAP\*

\* TYPICAL GAP FOR 2-1/4" DOORS WITH 1-5/8" TRACK STANDOFF.  
ADDITIONAL CLEARANCE CAN BE ACHIEVED BY ADDING WASHERS BETWEEN STANDOFF AND TRACK

GENERAL NOTES:  
TRACK MUST BE INSTALLED INTO SOLID BLOCKING OR HEAD CASING.

CLASSIC STYLE WEIGHT RATINGS\*\*

STEEL WHEEL	HUSH WHEEL	WOOD WHEEL
400 LBS	400 LBS	80 LBS

\*\*RATING PER PAIR OF HANGERS

**REAL**  
SLIDING  
HARDWARE

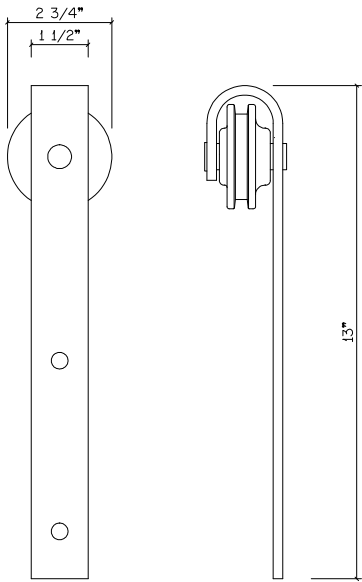
copyright 2013  
Real Carriage  
Door Company  
9803 44th AVE NW  
GIG HARBOR, WA 98332

# CLASSIC FLAT TRACK (DOORS 2" TO 2-1/4")

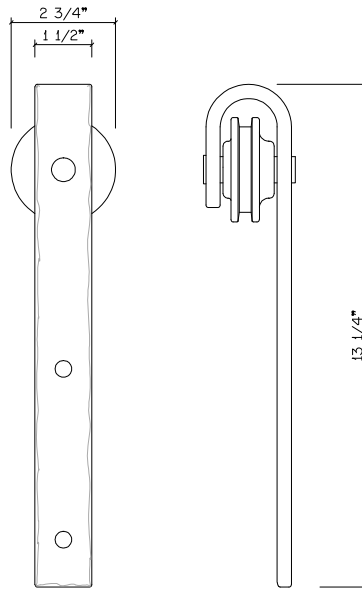
DESCRIPTION/NOTES: SECTION AND ELEVATION VIEWS

THIS PRINT IS THE PROPERTY OF REAL CARRIAGE DOOR COMPANY, INC. AND IS LOANED TO THE RECIPIENT SUBJECT TO RETURN UPON DEMAND. ALL CONTENTS HEREIN ARE CONFIDENTIAL AND MUST NOT BE COPIED OR SUBMITTED TO OUTSIDE PARTIES FOR EXAMINATION WITHOUT THE EXPRESS WRITTEN CONSENT OF REAL CARRIAGE DOOR COMPANY, INC.

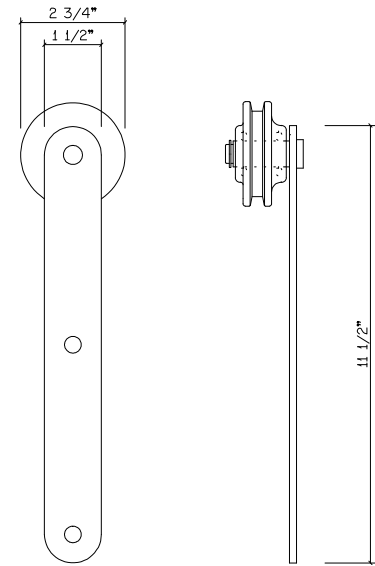
DRWG NO:  
DATE:



CLASSIC STYLE  
HANGER

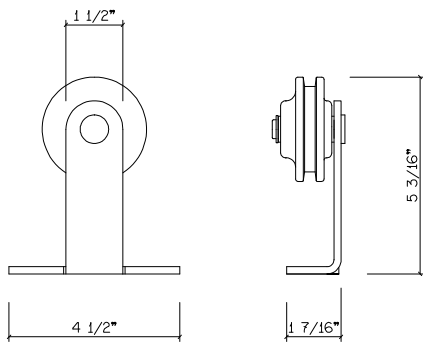


HAMMERED STYLE  
HANGER

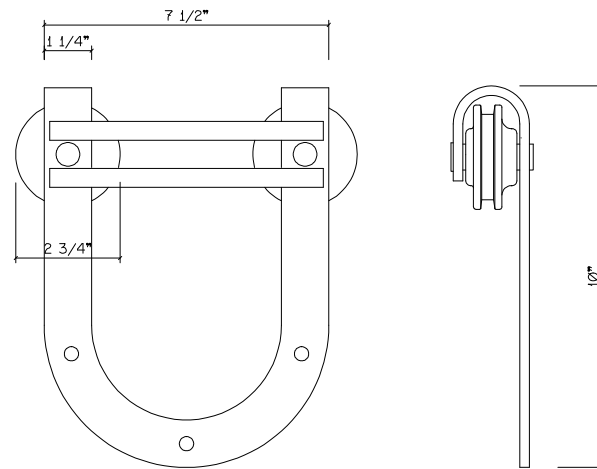


PROP STYLE  
HANGER

NOTE:  
HAMMERED HANGERS  
ARE HAND-FORGED  
AND DIMENSIONS MAY  
VARY SLIGHTLY

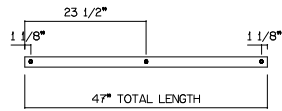


AERO STYLE  
HANGER

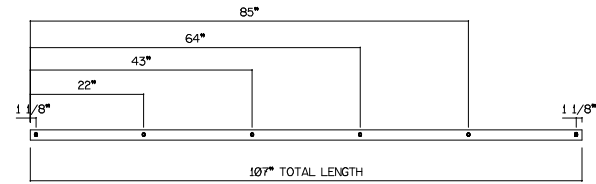


HORSESHOE STYLE  
HANGER

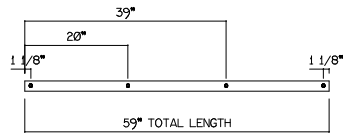
SF-04



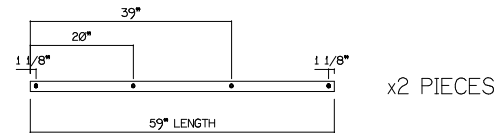
SF-09



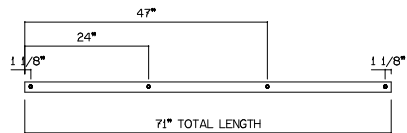
SF-05



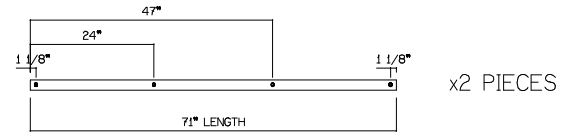
SF-10-2PC



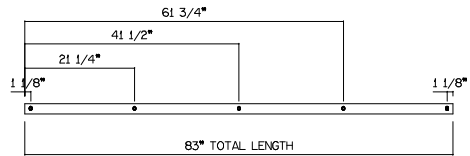
SF-06



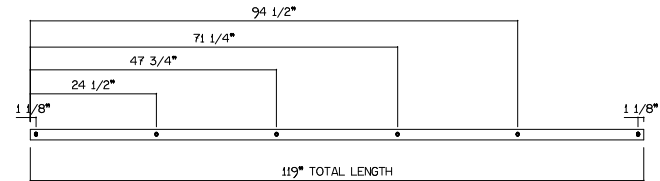
SF-12-2PC



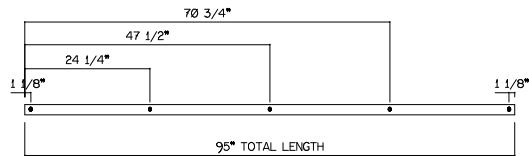
SF-07



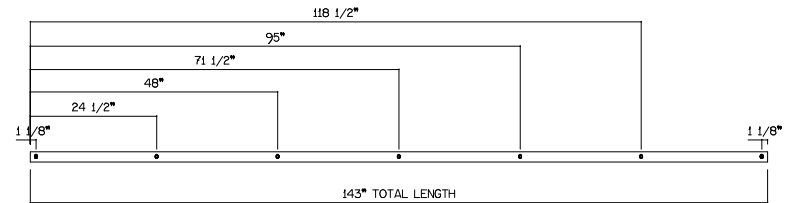
SF-10\*



SF-08



SF-12\*



\*THESE ITEMS ARE TOO LONG FOR FEDEX AND MUST SHIP FREIGHT

# FLAT TRACK STANDARD LENGTHS (CLASSIC, HORSESHOE, HAMMERED, PROP AND AERO STYLES)

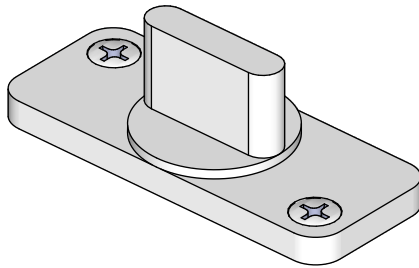
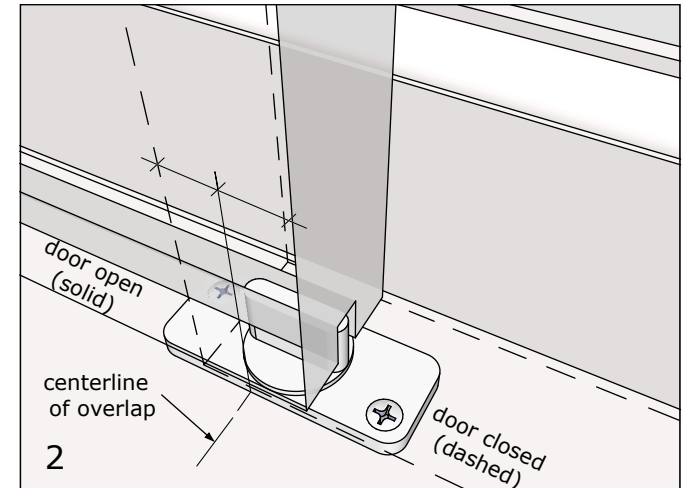
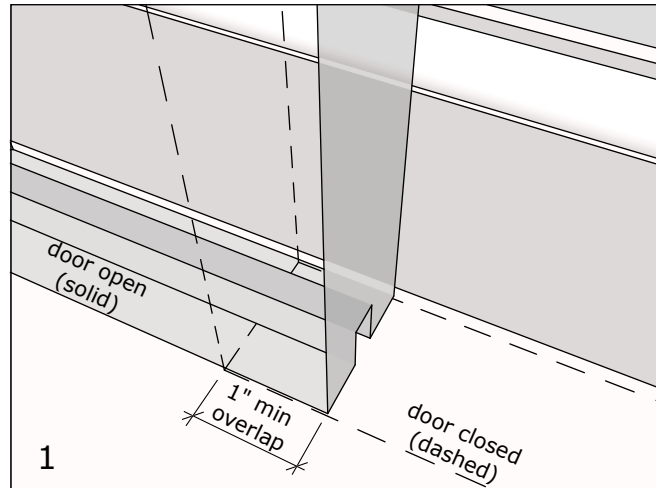
DESCRIPTION/NOTES: HOLE PATTERNS ARE EVENLY SPACED 24" ON CENTER OR LESS. STANDARD TRACK LENGTHS SHOWN. CUSTOM LENGTHS AVAILABLE.  
 NOTE: HOLE MEASUREMENTS ARE FOR GENERAL INFO ONLY AND NOT INTENDED FOR USE AS A DRILLING TEMPLATE.

**To install:**

Determine how wide the door 'overlap' will be. The overlap is the distance between the leading edge of the door when fully open, and the trailing edge of the door when fully closed (1).

Mark centerline of overlap and place center of guide on line (2).

Predrill and install on floor so door will hang plumb.

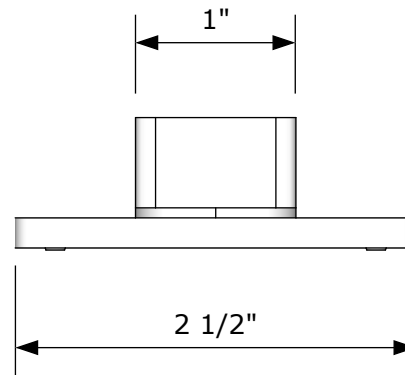


**General Notes:**

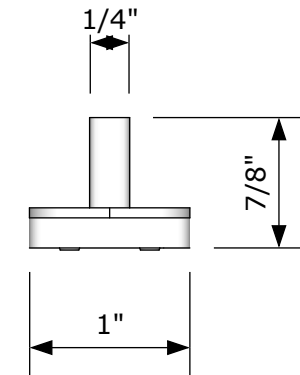
For use in wood doors when a semi-concealed look is desired.

Requires a 5/16"W x 1/2"H continuous slot in bottom of door

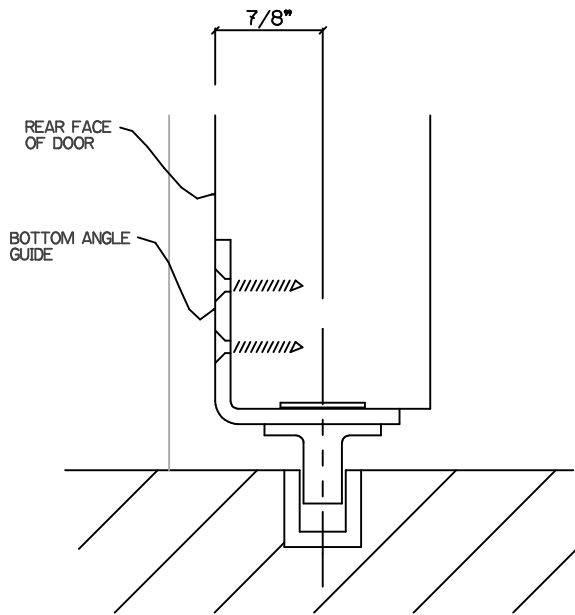
Smooth, high strength glide plastic guides door gently and quietly.



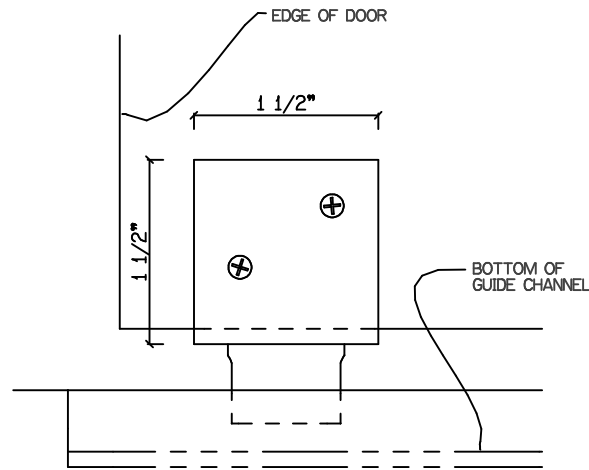
FRONT VIEW



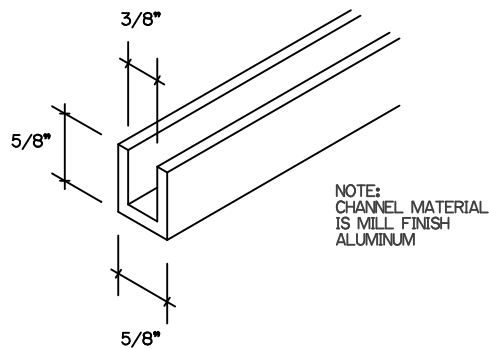
SIDE VIEW



SECTION VIEW

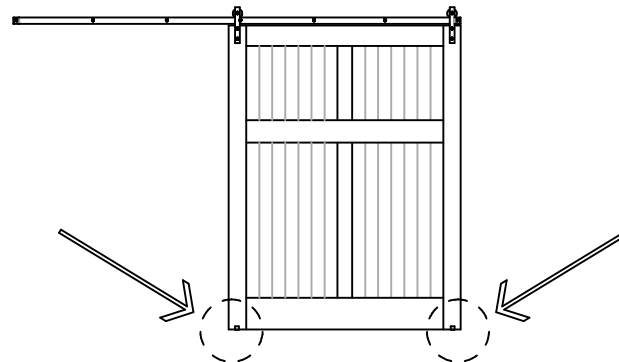


REAR VIEW



CHANNEL DIMENSIONS

NOTE:  
CHANNEL MATERIAL  
IS MILL FINISH  
ALUMINUM



GUIDE LOCATIONS

GENERAL NOTES:

GUIDES DOOR AT FLOOR  
AND KEEPS DOOR FROM  
SWINGING IN AND OUT

INSTALL GUIDE TO REAR  
OF DOOR AFTER DOOR IS  
HUNG. DOOR SHOULD  
HANG PLUMB TO WALL.

CHANNEL MAY BE SCREWED  
TO SLOT IN A WOOD FLOOR  
OR SET IN CONCRETE.  
CHANNEL MUST BE COATED  
WITH A BITUMINOUS OR  
ASPHALT-BASED PAINT PRIOR  
TO CONCRETE EMBEDMENT

USE FOR ADDED EXTERIOR  
DOOR SECURITY / RIGIDITY