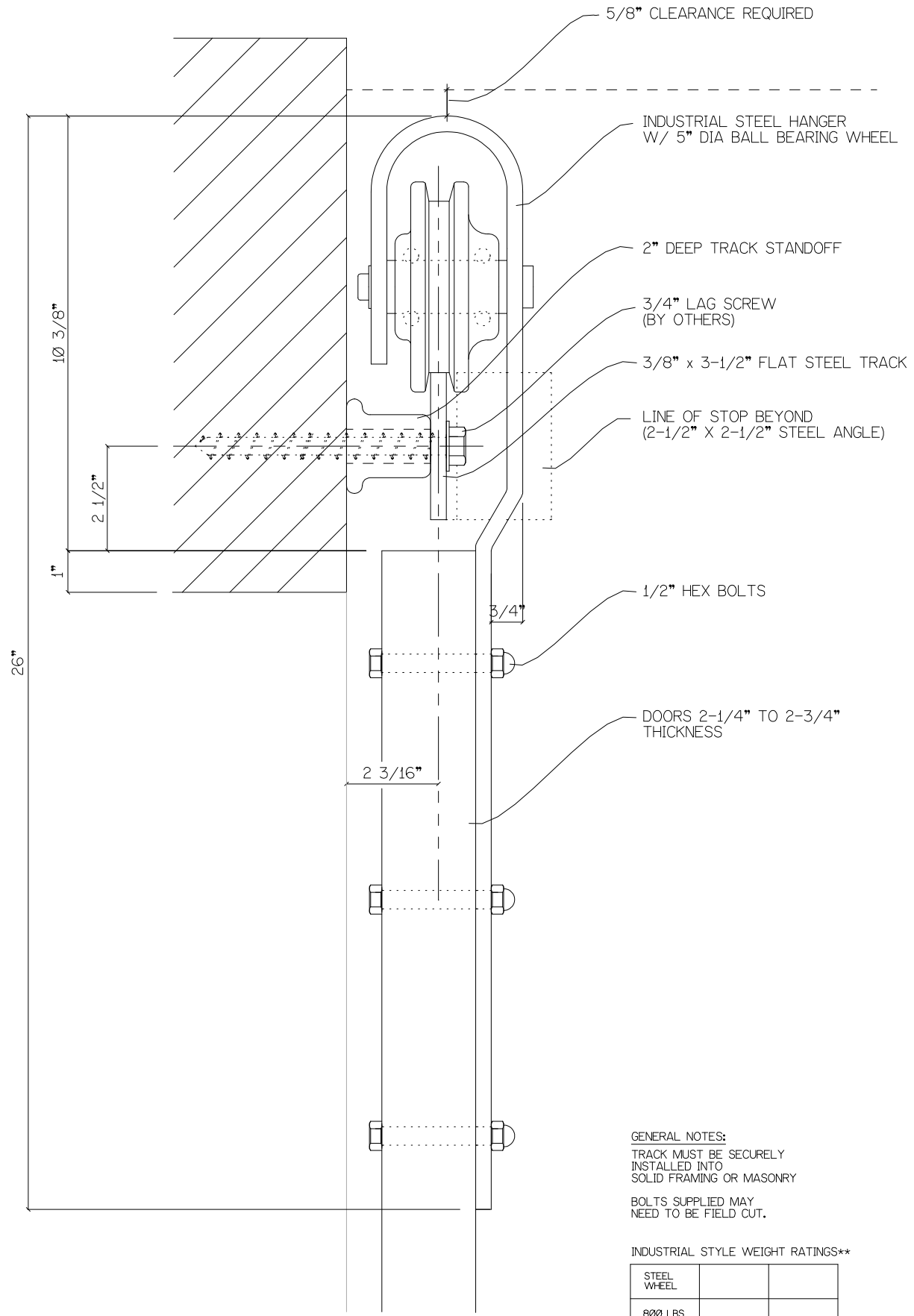


**INDUSTRIAL FLAT TRACK (OFFSET)**

DESCRIPTION/NOTES:



GENERAL NOTES:  
TRACK MUST BE SECURELY  
INSTALLED INTO  
SOLID FRAMING OR MASONRY

BOLTS SUPPLIED MAY  
NEED TO BE FIELD CUT.

INDUSTRIAL STYLE WEIGHT RATINGS\*\*

STEEL WHEEL		
800 LBS		

\*\*RATING PER PAIR OF HANGERS

THIS PRINT IS THE PROPERTY OF REAL CARRIAGE  
DOOR COMPANY. IF COPIES LOANED TO OTHER  
RECIPIENT SUBJECT TO RETURN UPON DEMAND.  
ALL CONTENTS HEREIN ARE CONFIDENTIAL AND  
MAY NOT BE COPIED OR REPRODUCED IN ANY  
MANNER WITHOUT THE WRITTEN CONSENT OF  
REAL CARRIAGE DOOR COMPANY, INC.

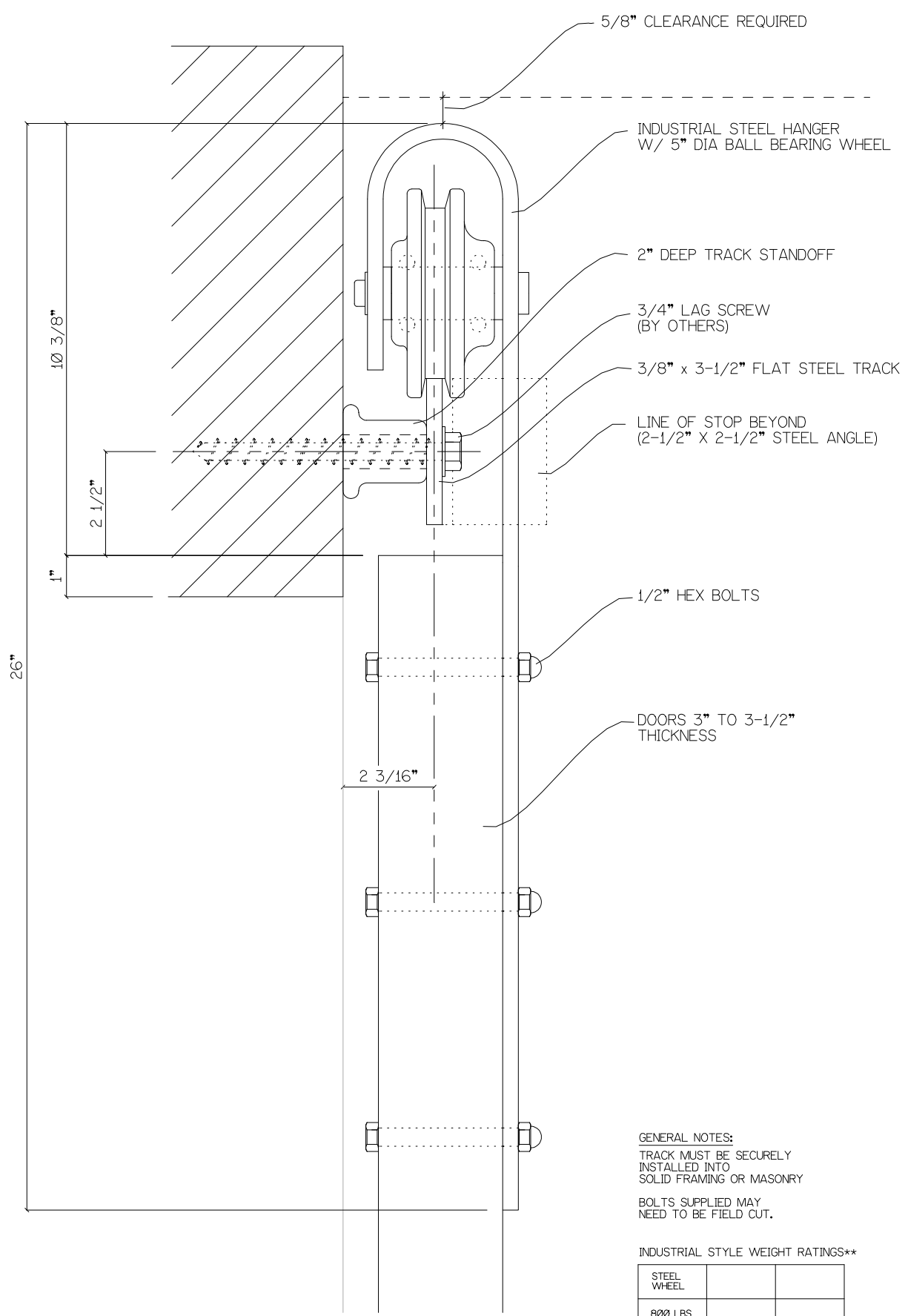
DRWG NO:  
DATE:

**INDUSTRIAL FLAT TRACK (STRAIGHT)**

DESCRIPTION/NOTES:

THIS PRINT IS THE PROPERTY OF REAL CARRIAGE DOOR COMPANY. IT IS LOANED TO THE RECIPIENT SUBJECT TO RETURN UPON DEMAND. ALL CONTENTS HEREIN ARE CONFIDENTIAL AND MUST NOT BE COPIED OR REPRODUCED WITHOUT THE EXPRESS WRITTEN CONSENT OF REAL CARRIAGE DOOR COMPANY, INC.

DRAWING NO:  
 DATE:

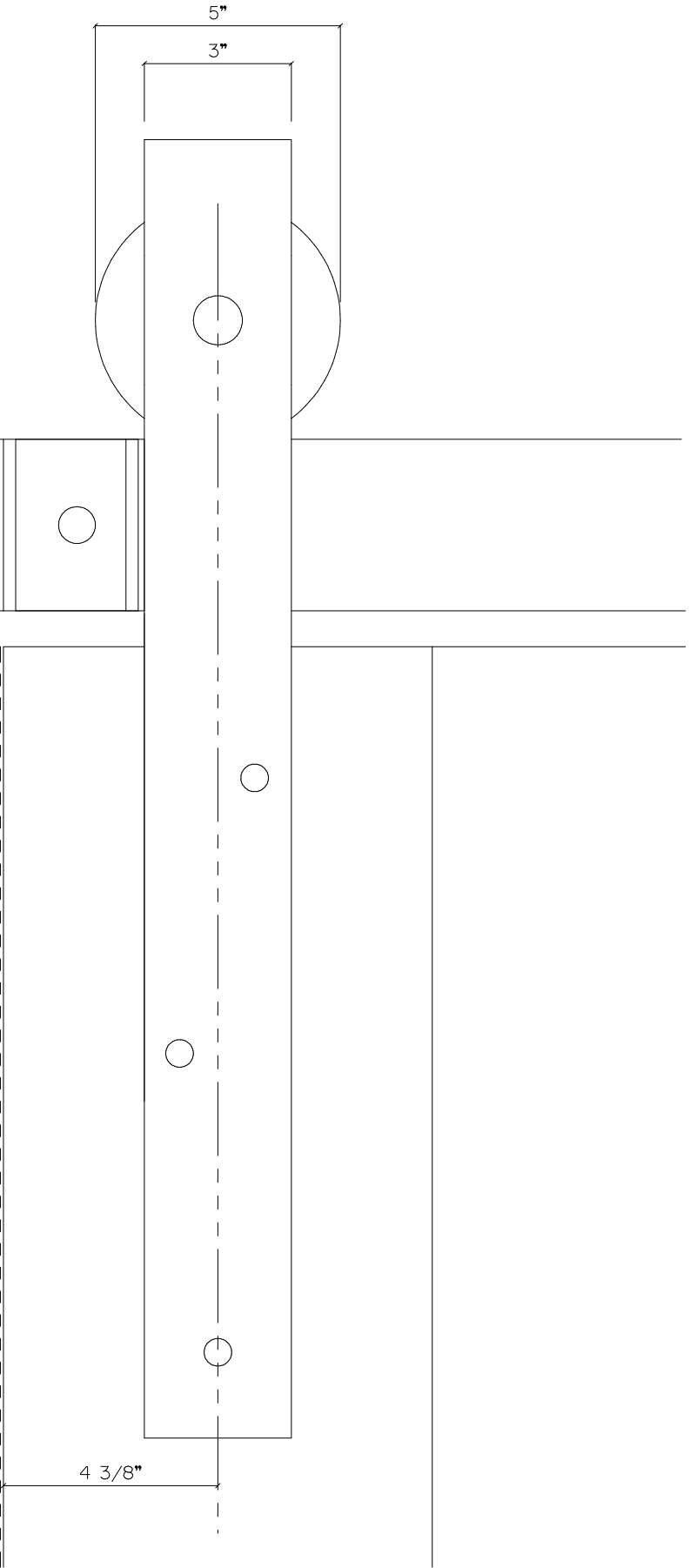


**GENERAL NOTES:**  
 TRACK MUST BE SECURELY INSTALLED INTO SOLID FRAMING OR MASONRY  
 BOLTS SUPPLIED MAY NEED TO BE FIELD CUT.

INDUSTRIAL STYLE WEIGHT RATINGS\*\*

STEEL WHEEL		
800 LBS		

\*\*RATING PER PAIR OF HANGERS



THIS SETBACK IS  
 REQUIRED TO ALIGN  
 DOOR END WITH TRACK

BIPARTING DOORS MUST  
 MEET THIS MINIMUM  
 OFFSET IN ORDER TO  
 CLOSE PROPERLY

**INDUSTRIAL FLAT TRACK (HANGER SETBACK)**

DESCRIPTION/NOTES:

THIS PRINT IS THE PROPERTY OF REAL CARriage DOOR COMPANY. IF COPIED IS LOANED TO ANOTHER RECIPIENT SUBJECT TO RETURN UPON DEMAND. ALL CONTENTS HEREIN ARE CONFIDENTIAL AND MUST NOT BE COPIED OR REPRODUCED WITHOUT THE EXPRESS WRITTEN CONSENT OF REAL CARriage DOOR COMPANY, INC.

DRAWG NO:

DATE: