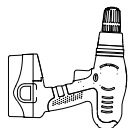


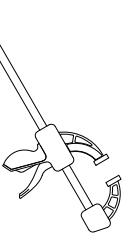
TOOLS NEEDED



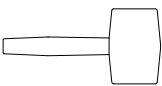
Tape Measure



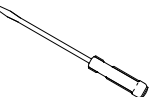
Power Drill



Clamps

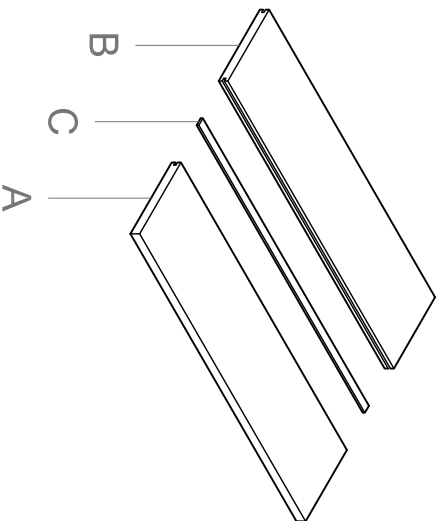


Rubber Mallet



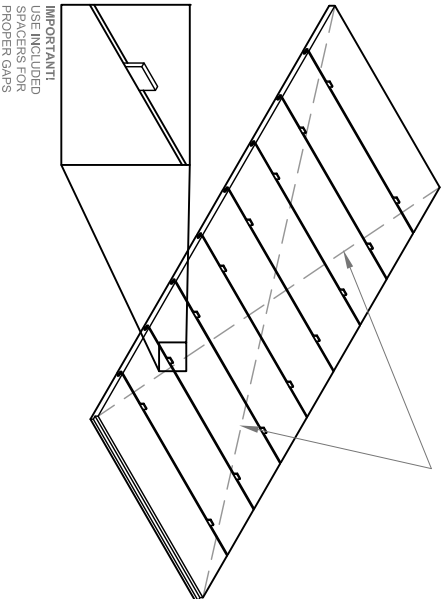
Slotted Screwdriver

MEASUREMENTS MUST BE EQUAL



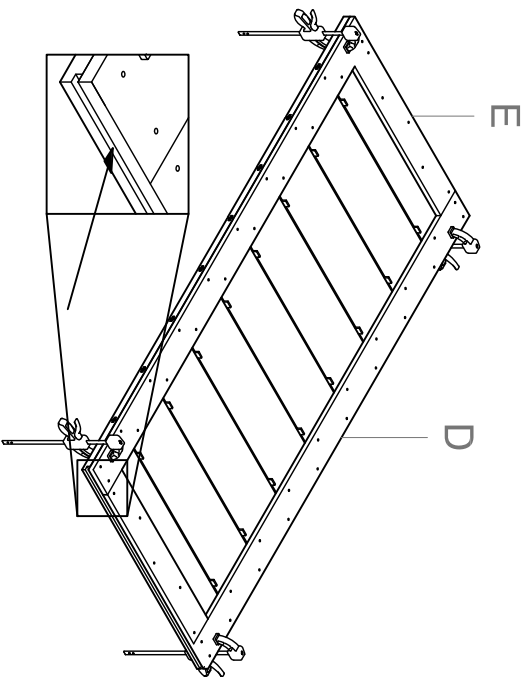
1

Fit spline (C) securely into slot in end plank (A). Fit mid plank (C) onto spline assembly. Continue fitting splines and planks taking care to keep board ends aligned.



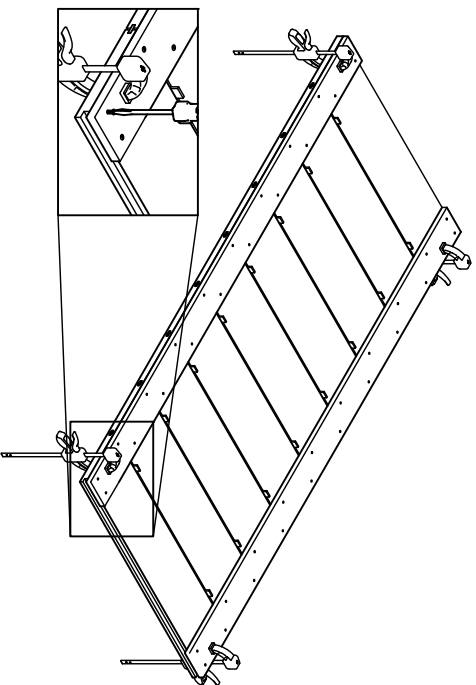
2

With planks assembled insert the included spacers in between boards. Spacers should be inserted along sides of the door 6-8" from edge. Check square by measuring diagonally. Tap boards gently with rubber mallet to adjust measurements if needed.



3

Arrange all face boards on door according to your chosen design. Clamp side bracing (D) securely to door. Verify the position of the bottom slot (if selected)

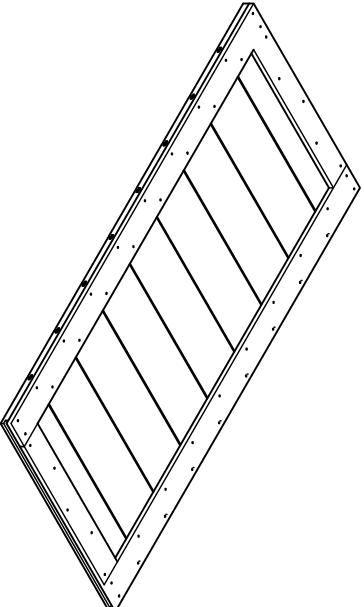


4

Install included drill bit with 1-1/4" of the bit extending from drill. Drill pilot holes through countersink holes in bracing making sure not to drill deeper than 1-1/4". Affix bracing with included screws. DO NOT OVERTIGHTEN!!!

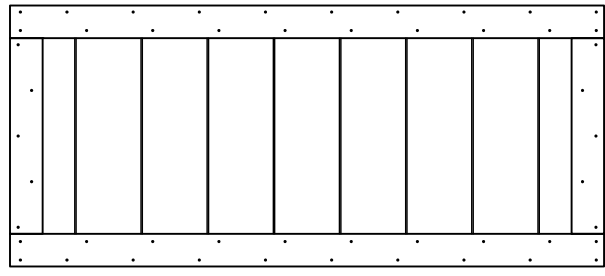
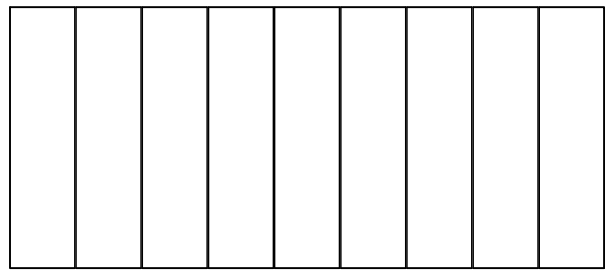
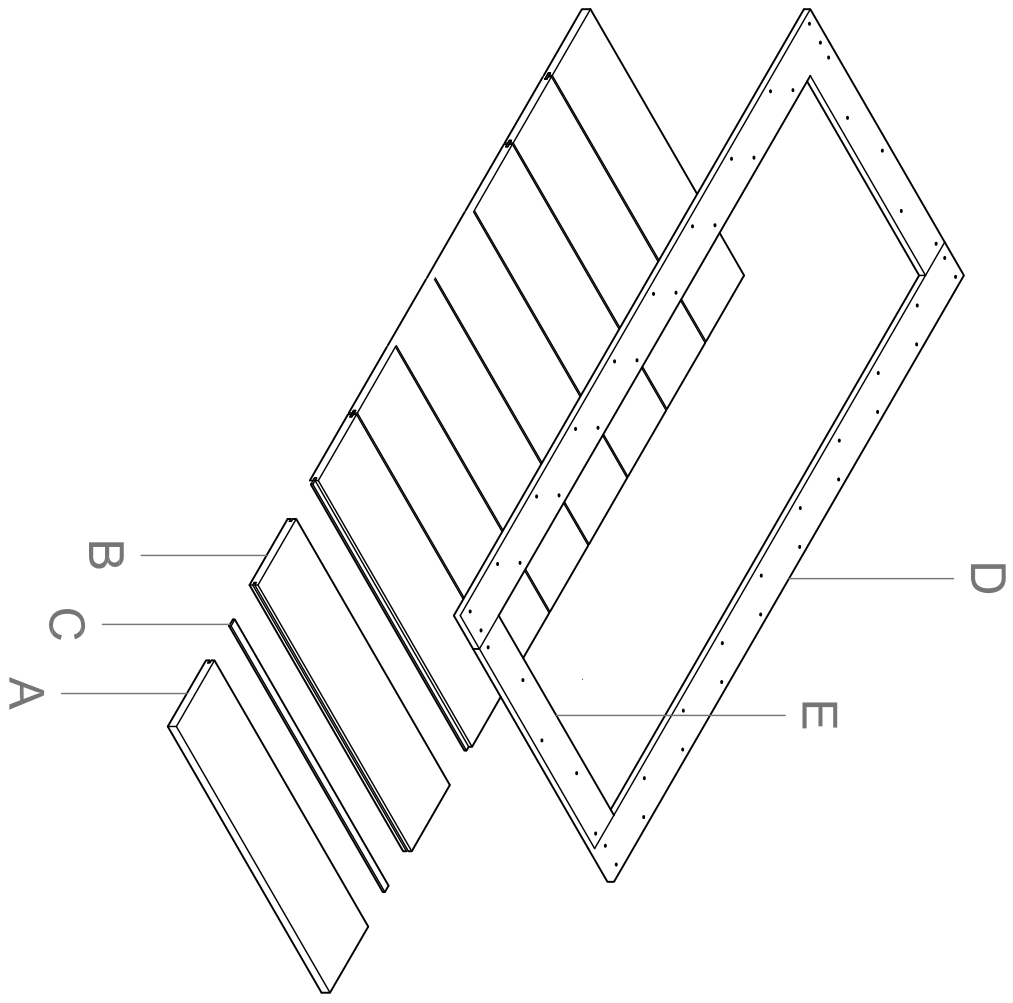
5

Follow same procedure in previous step for any remaining bracing on door. Remove clamps. Door is now ready to install.



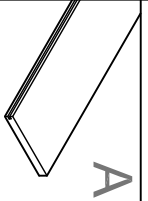
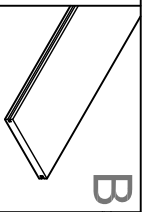
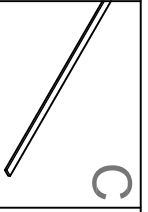
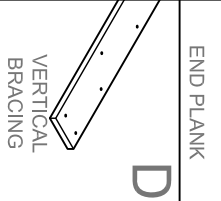
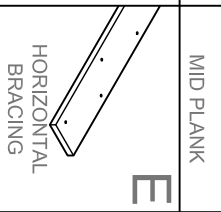

PARTS LIST

(FOR ASSEMBLY INSTRUCTIONS - SEE REVERSE SIDE)



- A - 2
- B - VARIES
- C - VARIES
- D - 2
- E - 2
- F - VARIES

NOTE: ADDITIONAL BRACING INCLUDED WITH DOORS OVER 54" WIDE

 <p>A END PLANK</p>	 <p>B MID PLANK</p>	 <p>C JOINT SPLINE</p>		
 <p>D VERTICAL BRACING</p>	 <p>E HORIZONTAL BRACING</p>			<p>F #10 x 1-1/4" </p>