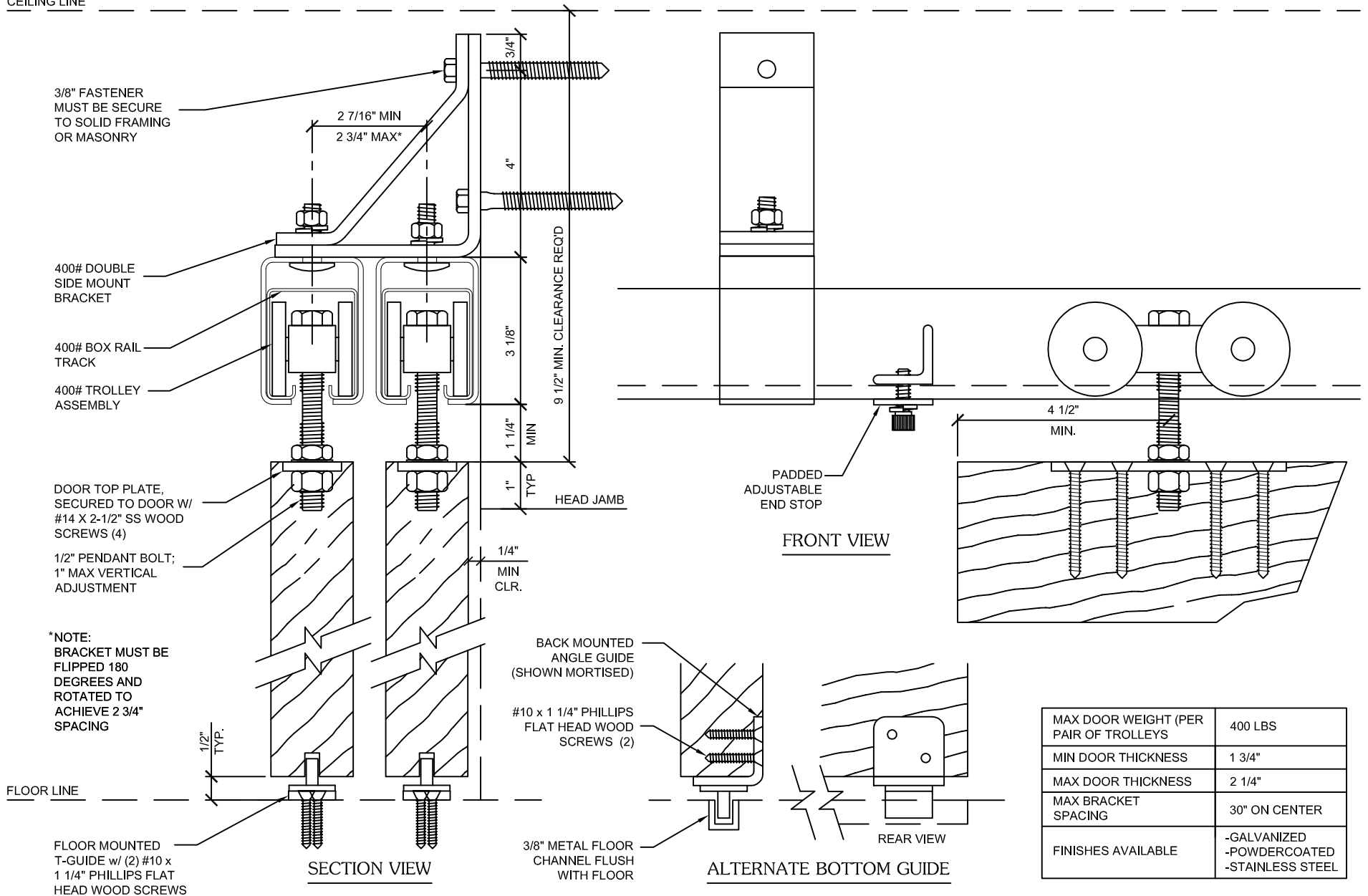


CEILING LINE



MAX DOOR WEIGHT (PER PAIR OF TROLLEYS)	400 LBS
MIN DOOR THICKNESS	1 3/4"
MAX DOOR THICKNESS	2 1/4"
MAX BRACKET SPACING	30" ON CENTER
FINISHES AVAILABLE	-GALVANIZED -POWDERCOATED -STAINLESS STEEL



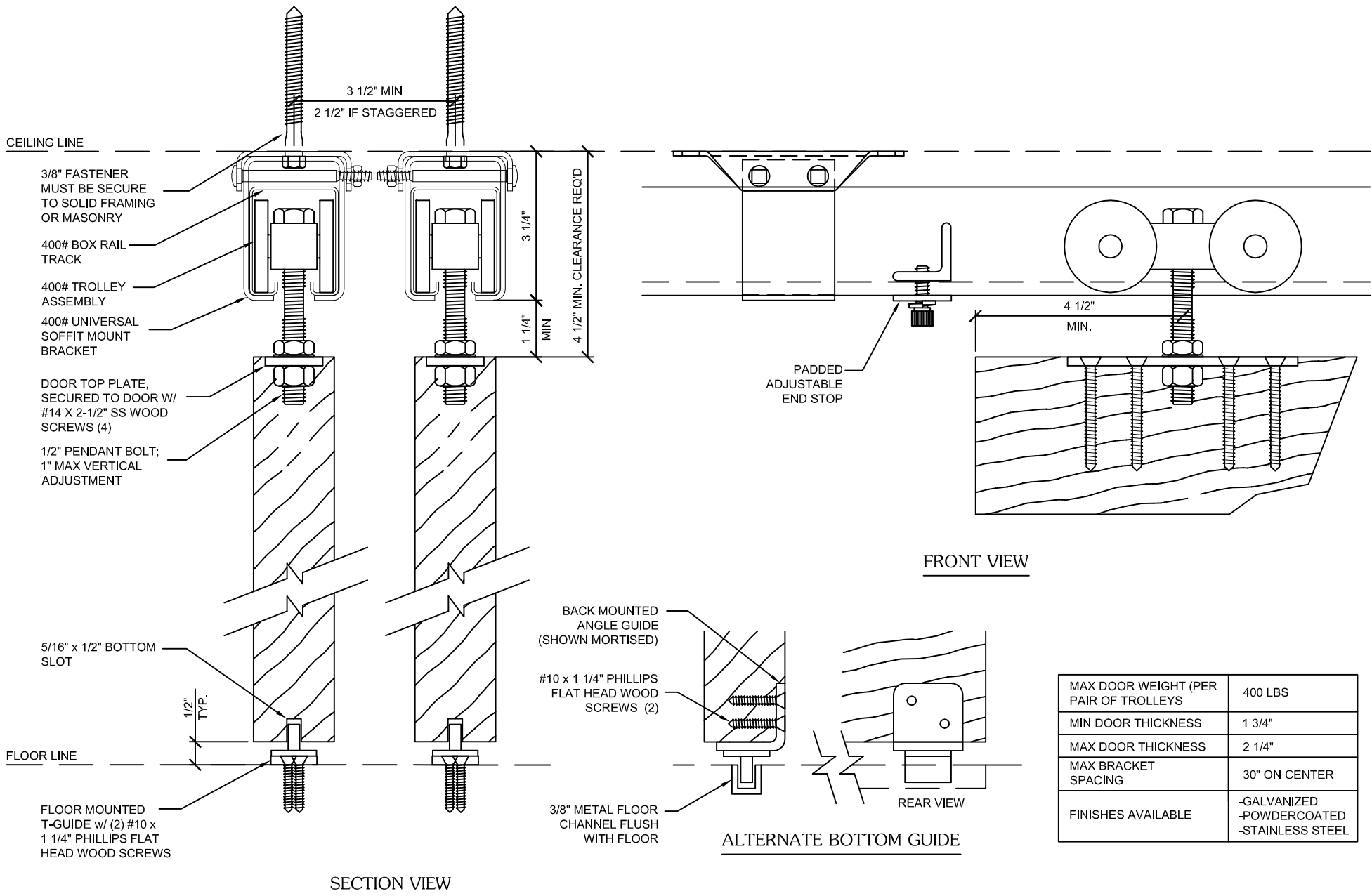
Real Carriage Door  
Company, Inc.  
9803 44th Ave. NW  
Gig Harbor, WA 98332  
Tel: (800) 694-5977  
Fax: (253) 857-9295

## 400# Box Rail - Bypass Side Mount

© 2014 Copyright, All rights reserved.

THIS PRINT IS THE PROPERTY OF REAL CARRIAGE DOOR COMPANY INC. AND IS LOANED TO THE RECIPIENT SUBJECT TO BE RETURNED UPON DEMAND. ALL CONTENTS HEREIN ARE CONFIDENTIAL AND MUST NOT BE COPIED OR SUBMITTED TO OUTSIDE PARTIES FOR EXAMINATION WITHOUT THE EXPRESS WRITTEN CONSENT OF REAL CARRIAGE DOOR COMPANY INC.

Printed: September 2, 2014



MAX DOOR WEIGHT (PER PAIR OF TROLLEYS)	400 LBS
MIN DOOR THICKNESS	1 3/4"
MAX DOOR THICKNESS	2 1/4"
MAX BRACKET SPACING	30" ON CENTER
FINISHES AVAILABLE	- GALVANIZED - POWDERCOATED - STAINLESS STEEL



Real Carriage Door  
Company, Inc.  
9803 44th Ave. NW  
Gig Harbor, WA 98332  
Tel: (800) 694-5977  
Fax: (253) 857-9295

# 400# Box Rail - Bypass Soffit/Ceiling Mount

THIS PRINT IS THE PROPERTY OF REAL CARRIAGE DOOR COMPANY INC. AND IS LOANED TO THE RECIPIENT SUBJECT TO BE RETURNED UPON DEMAND. ALL CONTENTS HEREIN ARE CONFIDENTIAL AND MUST NOT BE COPIED OR SUBMITTED TO OUTSIDE PARTIES FOR EXAMINATION WITHOUT THE EXPRESS WRITTEN CONSENT OF REAL CARRIAGE DOOR COMPANY INC.